

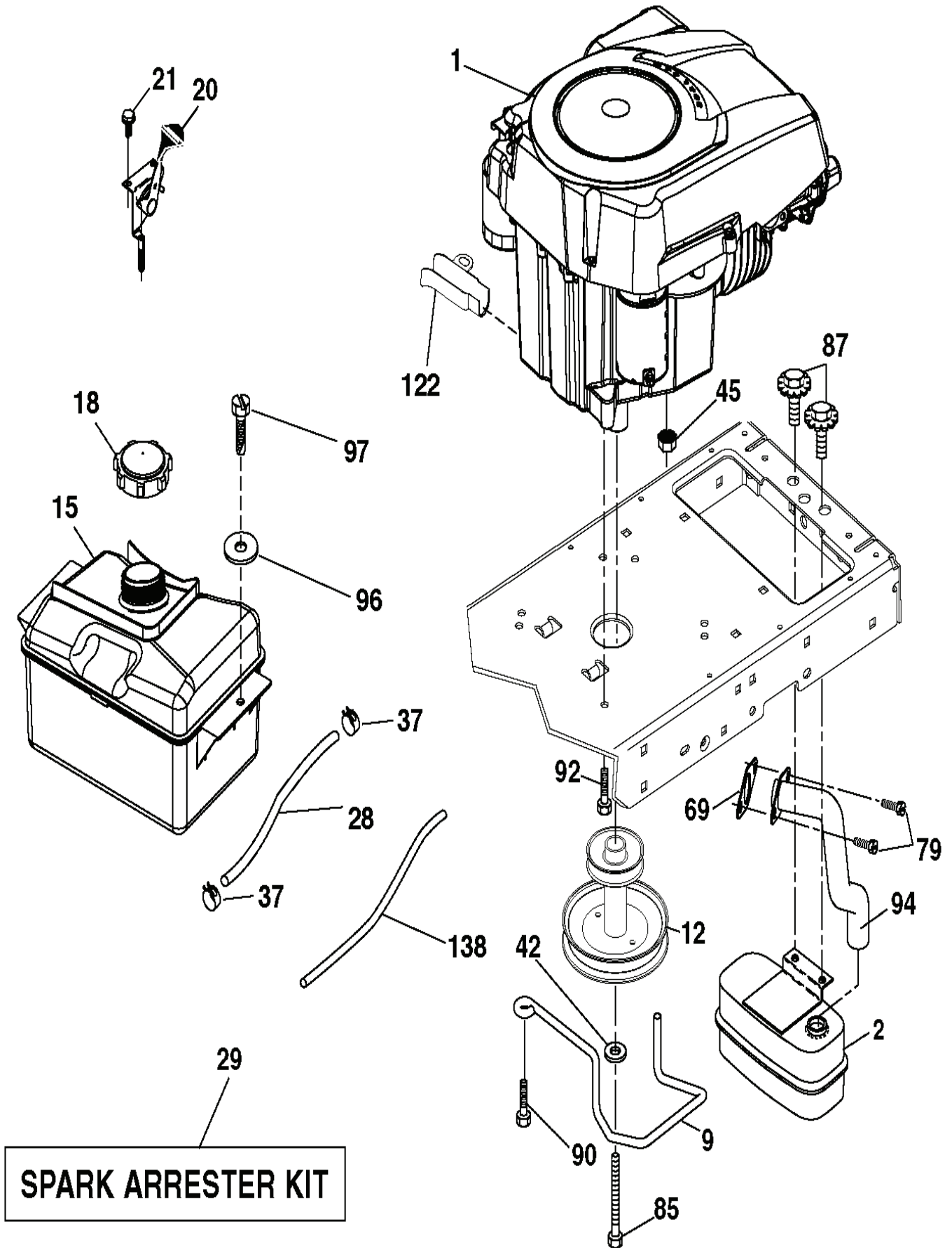
SPARE PARTS CATALOGUE
TRACTORS/RIDE MOWERS: HUSQVARNA YTA19K42

Spare Parts List

SPARE PARTS LIST

TRACTORS/RIDE MOWERS

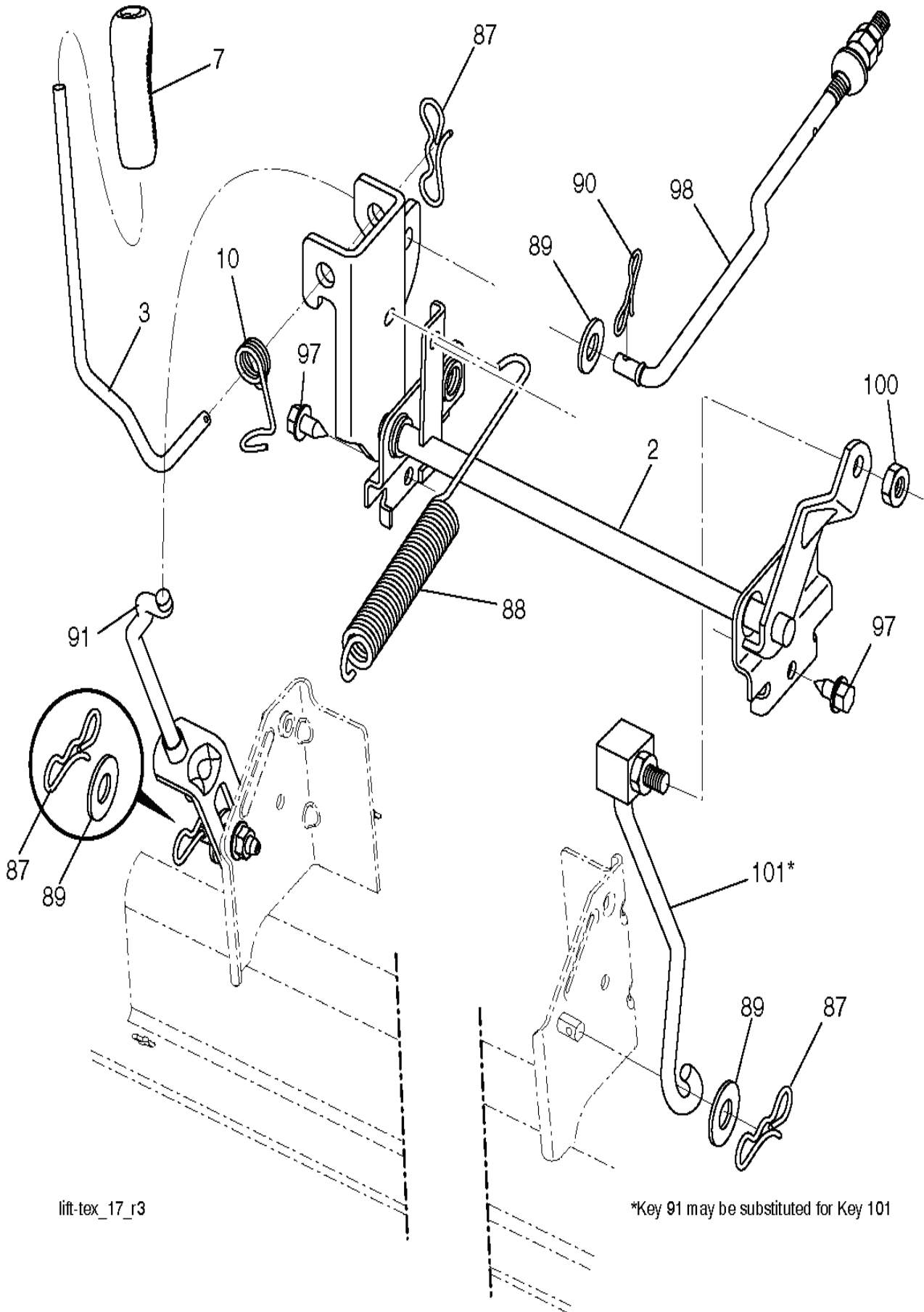
HUSQVARNA YTA19K42



SPARK ARRESTER KIT

TRACTORS/RIDE MOWERS

PXM_REF	PXM_PARTNO	DESCRIPTION	PXM_REMARK	QTY.
1	000000000	W/O DESCRIPTION	ENGINE KOHL MODEL NO. SV590-3223 (438346)	1
2	532188655	MUFFLER		1
9	532194319	BELT GUIDE		1
12	532401985	PULLEY		1
15	532433007	TANK ASSY		1
18	532438596	CAP		1
20	532401508	THROTTLE CONTROL		1
21	532416358	SCREW		1
28	532401137	DURITE ESSENCE 20"		1
29	532131780	SPARK ARRESTOR KIT		1
37	532123487	HOSE CLAMP		1
42	810040700	WASHER		1
45	873510400	NUT		1
69	532185909	GASKET		1
79	532192334	SCREW		1
85	532173937	BOLT		1
87	532171877	BOLT		1
90	817000616	SCREW		1
92	817120616	SCREW		1
94	532188654	TUBE EXHAUST		1
96	819091416	WASHER		1
97	817670412	SCREW		1
122	532421922	EXTENSION PIPE		1
138	532414119	PURGE LINE CARB		1

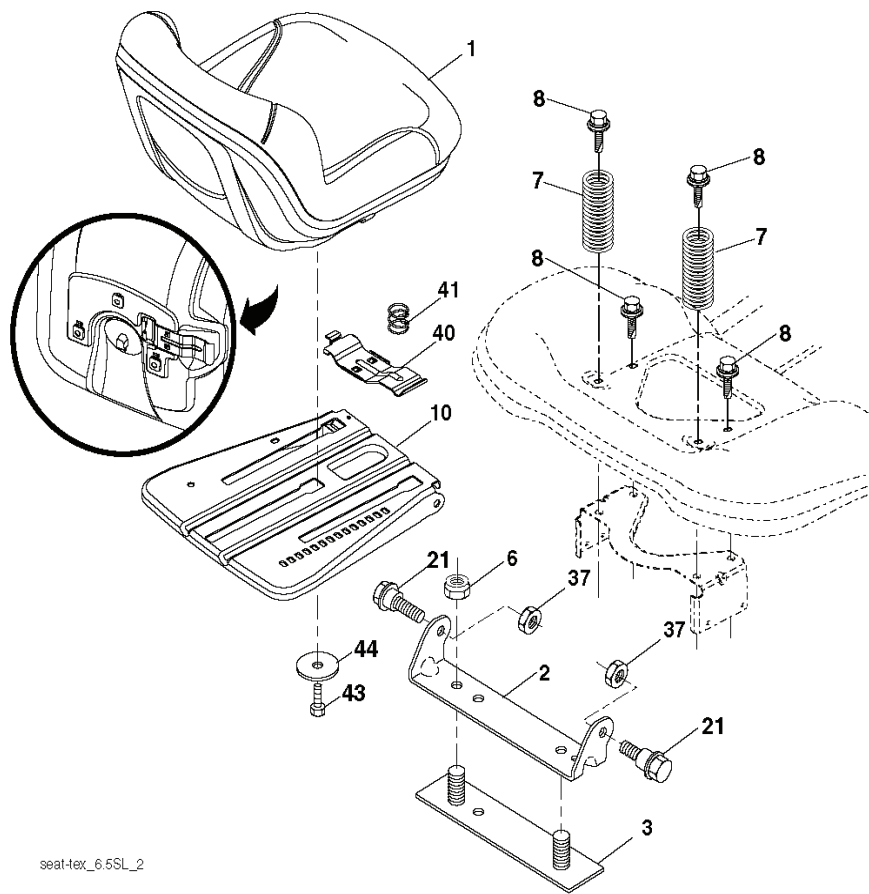


lift-tex_17_r3

*Key 91 may be substituted for Key 101

TRACTORS/RIDE MOWERS

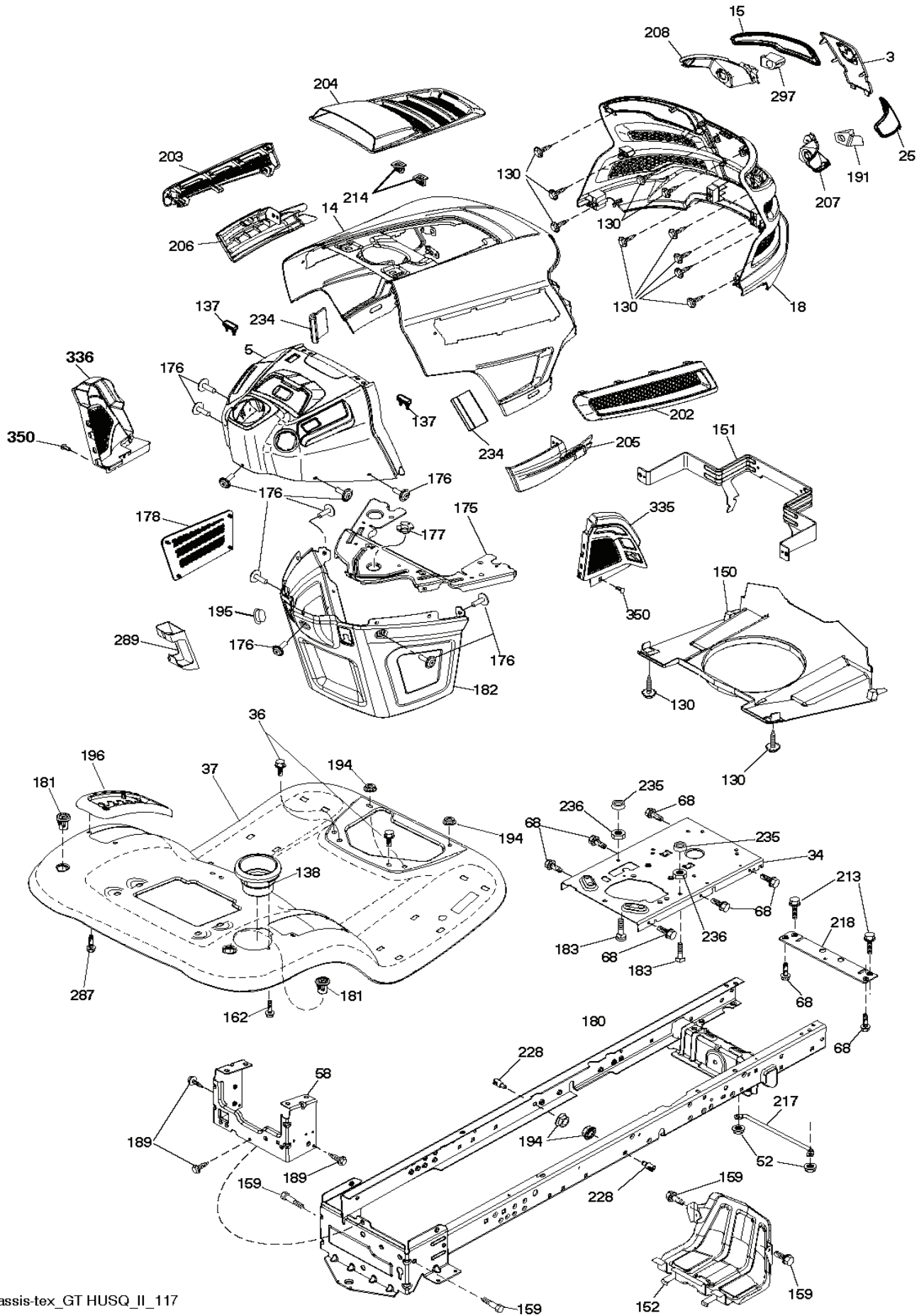
PXM_REF	PXM_PARTNO	DESCRIPTION	PXM_REMARK	QTY.
2	532422027	SHAFT		1
3	532195231	LEVER		1
7	532411555	GRIP		1
10	532196314	SPRING		1
87	532194209	SPRING		1
88	532410710	SPRING		1
89	819191912	WASHER		1
90	532194208	PIN		1
91	532195181	LINK		1
97	817000612	SCREW		1
98	532195270	LINK		1
100	873930600	NUT		1
101	532407003	LINK		1



seat-hex_6.5SL_2

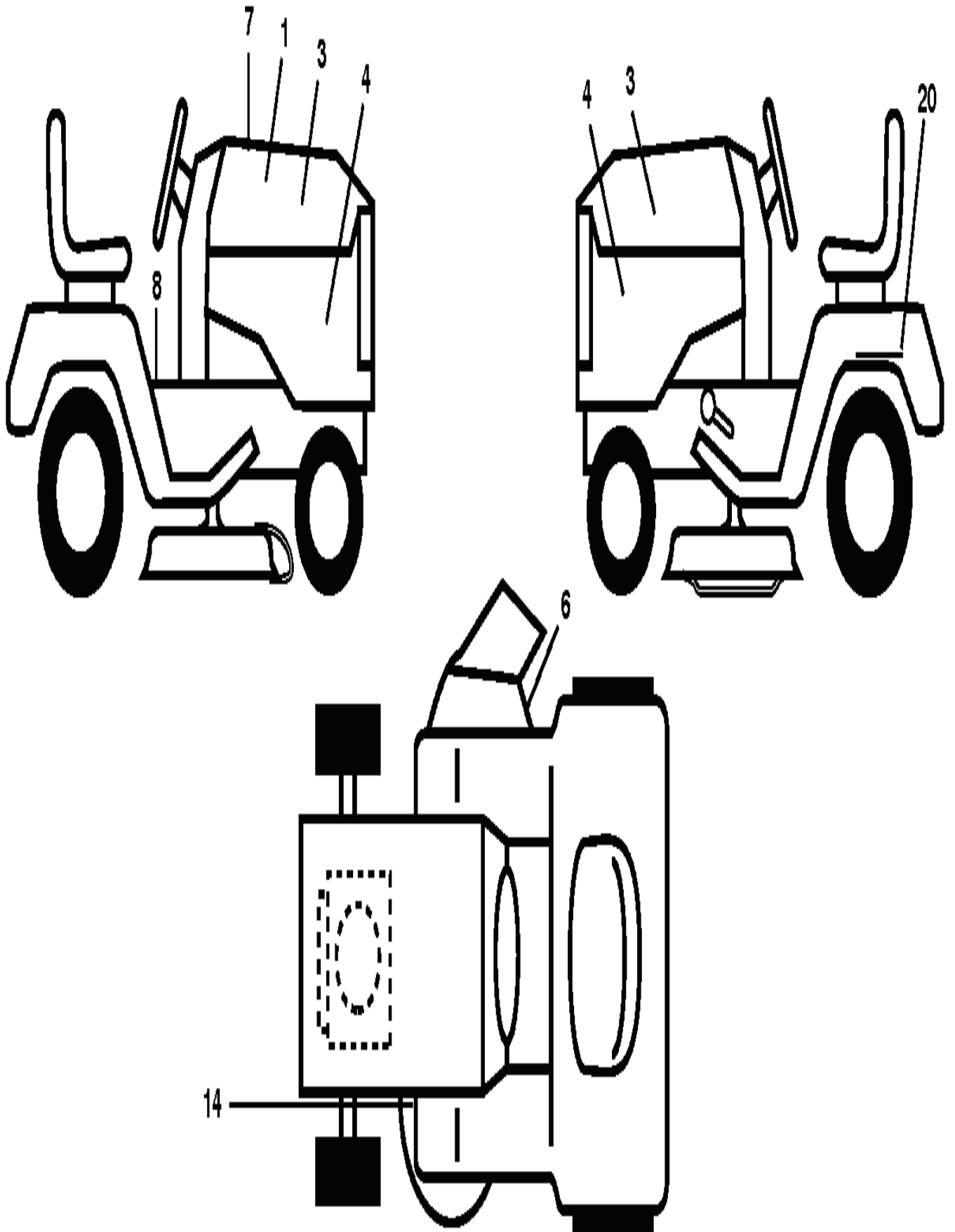
TRACTORS/RIDE MOWERS

PXM_REF	PXM_PARTNO	DESCRIPTION	PXM_REMARK	QTY.
1	532439819	SEAT		1
2	532180166	BRACKET		1
3	532140675	STRAP		1
6	873800600	NUT		1
7	532124181	SPRING		1
8	532171877	BOLT		1
10	532196977	PLATE		1
21	532171852	BOLT		1
37	873800500	LOCK NUT		1
40	532197661	HANDLE		1
41	532198200	SPRING		1
43	874760612	BOLT		1
44	819133812	WASHER		1



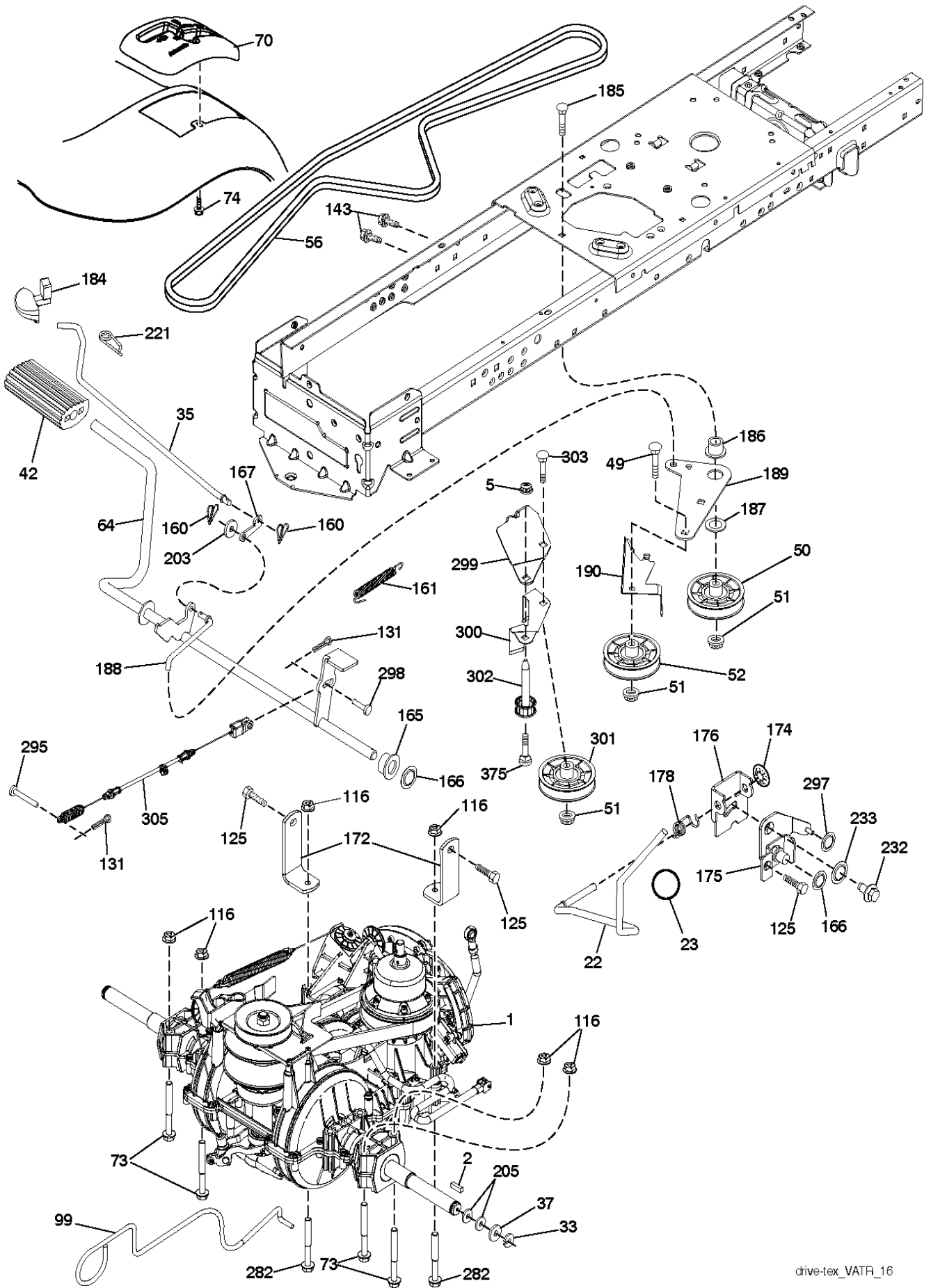
TRACTORS/RIDE MOWERS

PXM_REF	PXM_PARTNO	DESCRIPTION	PXM_REMARK	QTY.
3	532444481	LOGOTYPE		1
5	532437473	DASH		1
14	532441177	HOOD		1
15	532439733	LENS		1
18	532440653	GRILLE		1
25	532443385	LENS		1
34	532196125	PLATE		1
36	817060512	SCREW		1
37	532441266	FENDER		1
52	873680500	NUT		1
58	532412280	PLATE		1
68	817490508	SCREW		1
130	532416358	SCREW		1
137	532407590	DAMPING PIECE		1
138	532439747	HOLDER		1
150	532439731	AIR DUCT		1
151	532436670	BRACKET		1
152	532439870	SHIELD		1
159	817000612	SCREW		1
162	532142432	SCREW		1
175	532196304	SUPPORT		1
176	532400776	SCREW		1
177	532195227	BUSHING		1
178	532199782	NET		1
180	532415063	FRAME		1
181	532404796	BUSHING		1
182	532406859	DASH		1
183	874520520	BOLT		1
189	817000512	SCREW		1
191	532437455	INSERT		1
194	873900500	NUT		1
195	532404137	TROU*RPLPAR 532401556428		1
196	532439647	CONSOLE		1
202	532439728	COVER		1
203	532439727	COVER		1
204	532435714	COVER		1
205	532439730	SKIRT		1
206	532439729	SKIRT		1
207	532439734	CUP		1
208	532439735	CUP		1
213	874760512	BOLT		1
214	532199145	CLIP		1
217	532409167	ROD		1
218	532196395	PLATE		1
228	532195161	STUD		1
234	532404742	DAMPING PIECE		1
235	532406129	SPACER		1
236	873930500	NUT		1
287	817600406	SCREW		1
289	532403571	HOLDER		1
297	532437456	INSERT		1
335	532448204	COVER		1
336	532445309	COVER		1
350	532445143	CLIP		1



TRACTORS/RIDE MOWERS

PXM_REF	PXM_PARTNO	DESCRIPTION	PXM_REMARK	QTY.
1	532423829	DECAL		1
3	581627301	DECAL		1
4	532445758	DECAL		1
6	532170563	DECALC:"DANGER"		1
7	532445512	DECAL		1
8	532411657	DECAL		1
14	532160396	DECAL		1
20	532145005	DECAL		1
	532166960	DECAL		1
	532439681	FOOT PLATE		1
	532439966	PAD		1

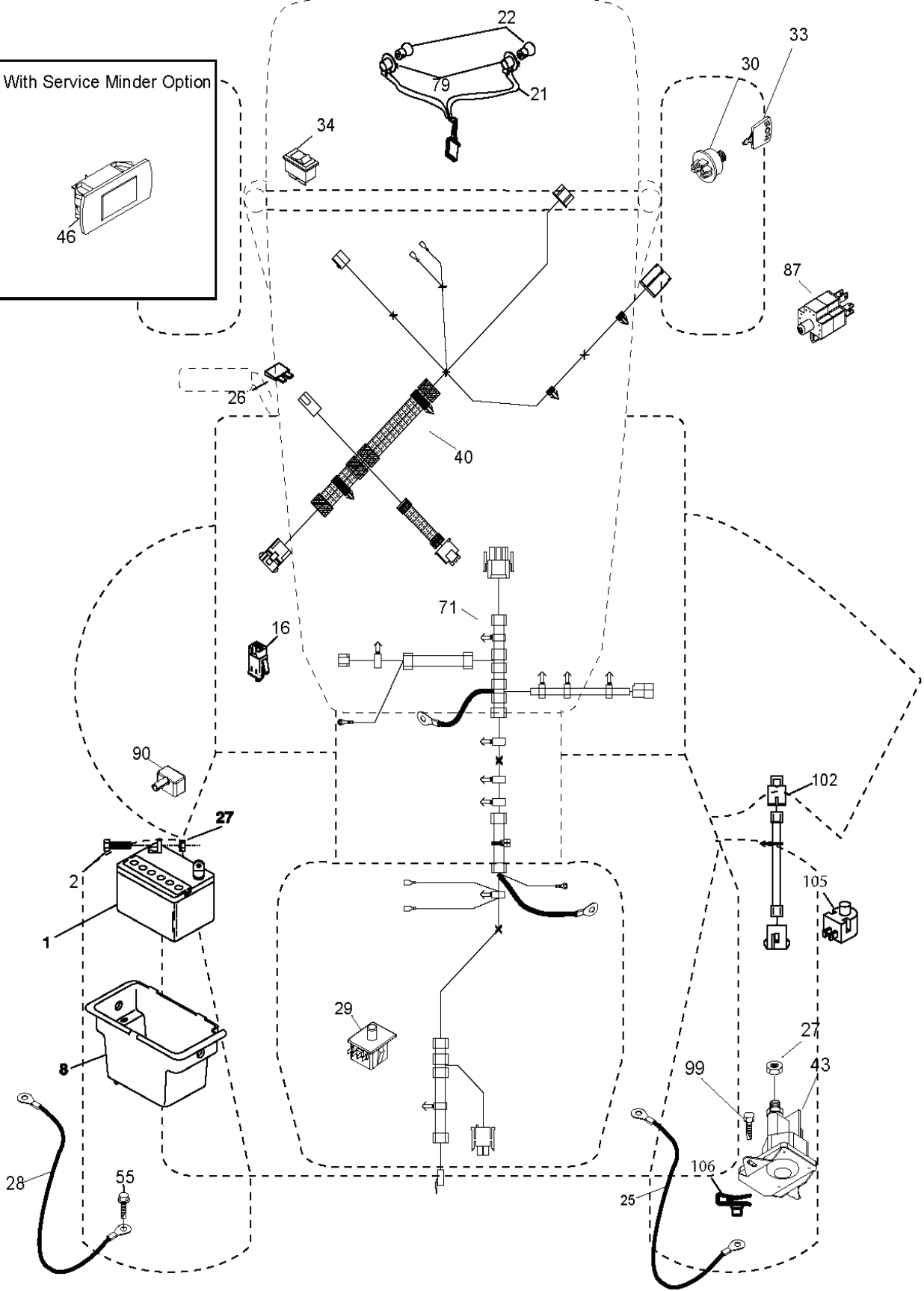
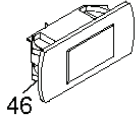


TRACTORS/RIDE MOWERS

PXM_REF	PXM_PARTNO	DESCRIPTION	PXM_REMARK	QTY.
1	532415663	TRANSMISSION.VARIATOR.TX.18/20	TRANSMISSION GENTRANS (415663)	1
2	532123583	KEY		1
5	873680600	NUT		1
22	532421063	ROD		1
23	532140845	KNOB		1
33	812000001	RETAINER RING		1
35	583864501	ROD		1
37	532121749	WASHER		1
42	532124872	PEDAL RUBBER		1
49	872110614	BOLT		1
50	532194327	PULLEY		1
51	873900600	NUT		1
52	532194326	PULLEY		1
56	532197253	BELT		1
64	532196200	SHAFT		1
70	532439656	CONSOLE		1
73	874490544	SCREW		1
74	532142432	SCREW		1
99	532427340	ROD		1
116	873900500	NUT		1
125	817000512	SCREW		1
131	876020312	SPLIT PIN		1
143	817490508	SCREW		1
160	532169484	PIN		1
161	532105709	SPRING		1
165	532196212	BUSHING		1
166	532429164	NUT		1
167	532405257	LATCH		1
172	583974201	STRAP		1
174	532197289	NUT		1
175	532415677	SHAFT ASSY		1
176	532196214	ARM		1
178	532197456	SPRING		1
184	532441455	HANDLE		1
185	872110622	BOLT		1
186	532194321	SPACER		1
187	819133210	WASHER		1
188	532194323	LINK		1
189	532194317	PLATE		1
190	532194318	BELT GUIDE		1
203	819111116	WASHER		1
205	532121748	WASHER		1
221	532403187	RETAINER SPRING		1
232	874780716	BOLT		1
233	532405296	WASHER		1
282	874490548	BOLT		1
295	532420306	CLEVIS PIN		1
297	532420223	NUT		1
298	532415694	CLEVIS PIN		1
299	532415683	BRACKET		1
300	532415681	IDLER		1
301	532415680	IDLER		1
302	532415666	PULLEY		1
303	872110618	BOLT		1
305	532415692	CABLE		1
375	874760636	BOLT		1

TR02K

With Service Minder Option



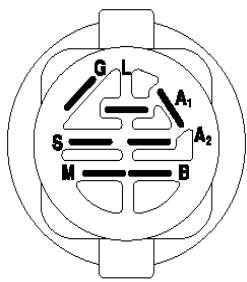
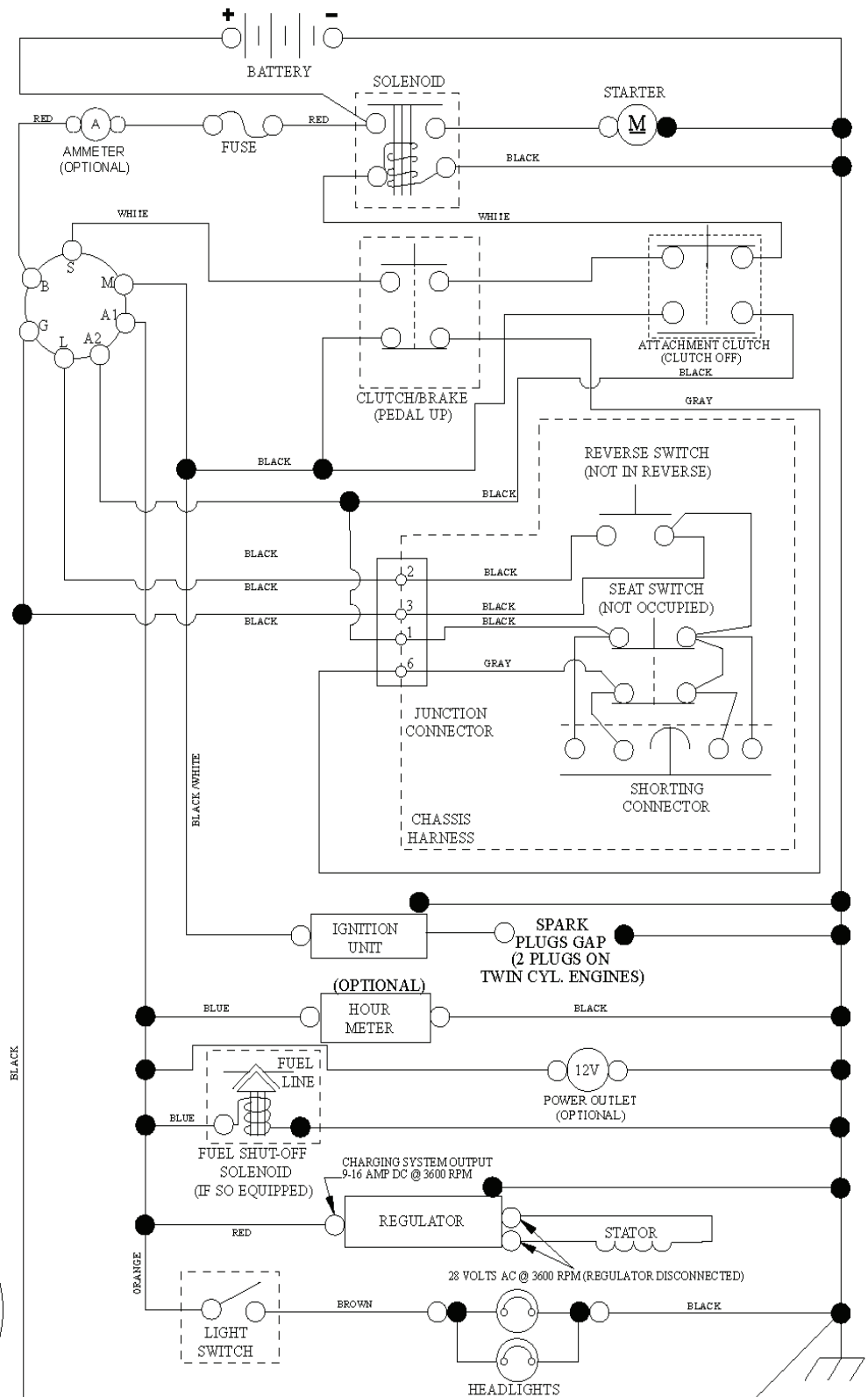
TRACTORS/RIDE MOWERS

PXM_REF	PXM_PARTNO	DESCRIPTION	PXM_REMARK	QTY.
1	532163465	BATTERY		1
2	874760412	BOLT		1
8	532193228	BOX		1
16	532176138	MICRO SWITCH		1
21	532400252	HARNESS		1
22	532004152	BULB		1
25	581498001	CABLE		1
26	532175158	FUSE		1
27	873510400	NUT		1
28	532421686	CABLE		1
29	532401545	SWITCH		1
30	532193350	IGNITION MODULE		1
33	532411933	KEY		1
34	532110712	SWITCH		1
40	581023101	HARNESS		1
43	532192507	SOLENOID		1
46	532401763	DISPLAY		1
55	817060512	SCREW		1
71	581023001	HARNESS		1
79	532175242	HOLDER		1
87	532197802	SWITCH		1
90	532435395	TERMINAL COVER		1
99	817670412	SCREW		1
102	532419781	PIGTAIL		1
105	532407568	SWITCH		1
106	532174814	NUT		1

TRACTORS/RIDE MOWERS

PXM_REF	PXM_PARTNO	DESCRIPTION	PXM_REMARK	QTY.
1	532439817	CUTTING DECK		1
6	532195186	ARM		1
7	532416358	SCREW		1
8	532193003	SCREW		1
11	532138971	BLADE		1
13	532192872	SHAFT ASSY		1
14	532187281	BEARING HOUSING		1
15	532110485	BEARING		1
19	532196539	BOLT		1
20	532159770	RAIL		1
21	873680500	NUT		1
23	532192557	HINGE		1
24	532105304	HUB CAP		1
25	532197026	TORSION SPRING		1
26	532110452	NUT		1
27	532403004	SHIELD		1
29	532131491	SHAFT		1
30	532173984	SCREW		1
31	532187690	WASHER		1
32	532197473	PULLEY		1
33	532400234	NUT		1
34	872110612	BOLT		1
36	532197379	PULLEY		1
37	819131316	WASHER		1
38	532432520	KEEPER		1
40	873900600	NUT		1
42	532198410	SPRING		1
43	532197256	SPRING		1
46	532137729	SCREW		1
47	532197250	BRACKET		1
55	532437110	ARM		1
56	532199092	SPACER		1
57	817000616	SCREW		1
59	532141043	GUARD		1
60	532197261	ARM		1
62	872110616	BOLT		1
63	532199477	ARM		1
64	532199918	LINK BRAKE		1
67	532403012	HANDLE		1
68	532429636	BELT		1
69	872140505	BOLT		1
70	532199972	CLUTCH ASSY		1
113	817000510	BOLT		1
116	532124842	BOLT		1
117	532188606	WHEEL		1
119	819121414	WASHER		1
122	532197258	BELT GUIDE		1
123	532197259	BELT GUIDE		1
144	532199204	BELT GUIDE		1
145	532193197	PULLEY		1
147	532401971	SPRING		1
152	532435110	CABLE		1
188	532195161	STUD		1
189	873900500	NUT		1
192	532197260	BRACKET		1
195	817000612	SCREW		1
241	532152927	SCREW		1
242	532415598	HOSE COUPLING		1
--	532416405	COUPLING		1
--	532192870	SPINDLE		1
--	532432937	DECK	REPLACEMENT MOWER	1

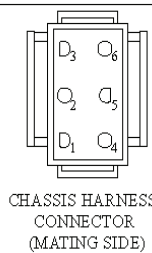
SCH10



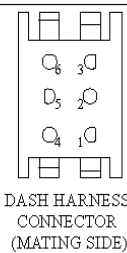
IGNITION SWITCH

POSITION	CIRCUIT	"MAKE"
OFF	M+G+A1	
RUN/OVERRIDE	B+A1	
RUN	B+A1	L+A2
START	B + S + A1	

03107



CHASSIS HARNESS CONNECTOR (MATING SIDE)

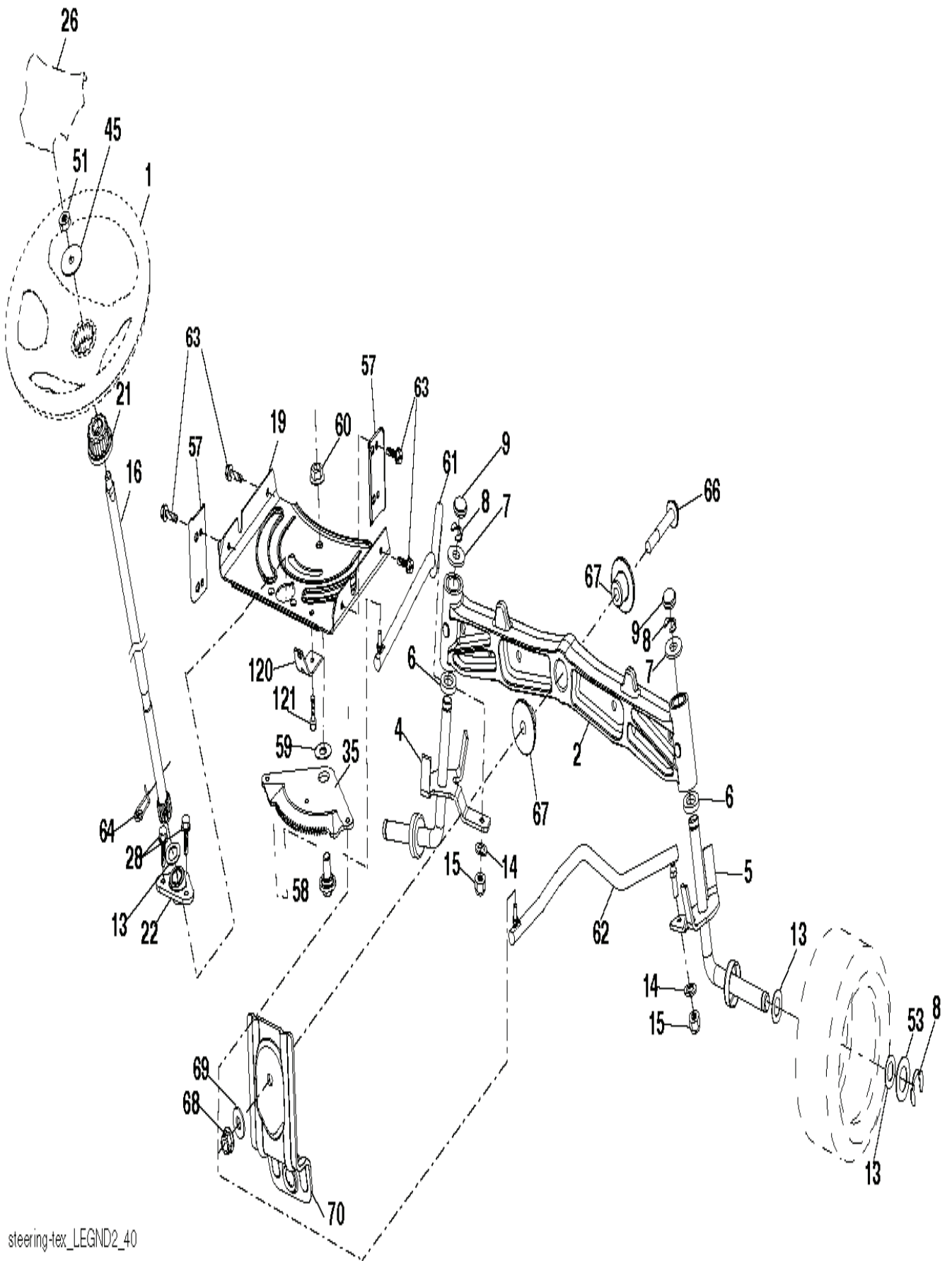


DASH HARNESS CONNECTOR (MATING SIDE)

WIRING INSULATED CLIPS
NOTE: IF WIRING INSULATED CLIPS WERE REMOVED FOR SERVICING OF UNIT, THEY SHOULD BE RE-INSTALLED TO PROPERLY SECURE YOUR WIRING.

●
NON-REMOVABLE CONNECTIONS

○
REMOVABLE CONNECTIONS



TRACTORS/RIDE MOWERS

PXM_REF	PXM_PARTNO	DESCRIPTION	PXM_REMARK	QTY.
1	532439997	STEERING WHEEL		1
2	532195968	SHAFT		1
4	532403087	SPINDLE		1
5	532403088	SPINDLE		1
6	532124931	WASHER		1
7	532121748	WASHER		1
8	812000029	RETAINER RING		1
9	532121232	HUB CAP		1
13	532121749	WASHER		1
14	810040600	WASHER		1
15	873540600	NUT		1
16	532408219	SHAFT		1
19	532194729	PLATE		1
21	532186737	ADAPTER		1
22	532420537	SUPPORT		1
26	532439743	HUB CAP		1
28	817000612	SCREW		1
35	532194732	PLATE		1
45	819183812	WASHER		1
51	873940800	NUT		1
53	532188967	WASHER		1
57	532407465	BRACKET		1
58	532194747	BOLT		1
59	532194748	WASHER		1
60	873971000	NUT		1
61	532194740	LINK		1
62	532194741	LINK		1
63	817000512	SCREW		1
64	532199849	SPRING RETAINER		1
66	871020748	BOLT		1
67	532194737	BUSHING		1
68	873900700	NUT		1
69	532199162	WASHER		1
70	532196197	BRACKET		1
120	532415689	BRACKET		1
121	817490508	SCREW		1
	PXM_PARTNO		PXM_REMARK	