



Kohler 15 hp

Spare parts

Ersatzteile

Pièces détachées

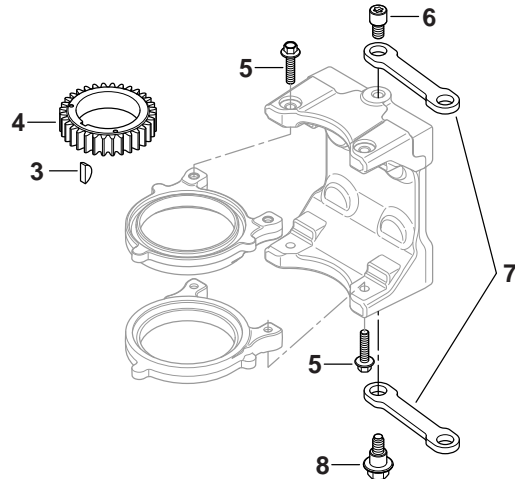
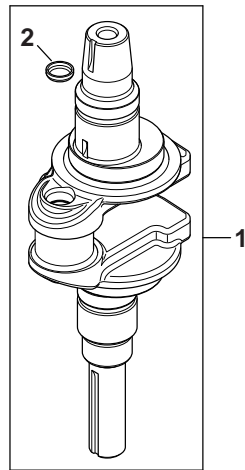
Reserve onderdelen

Repuestos

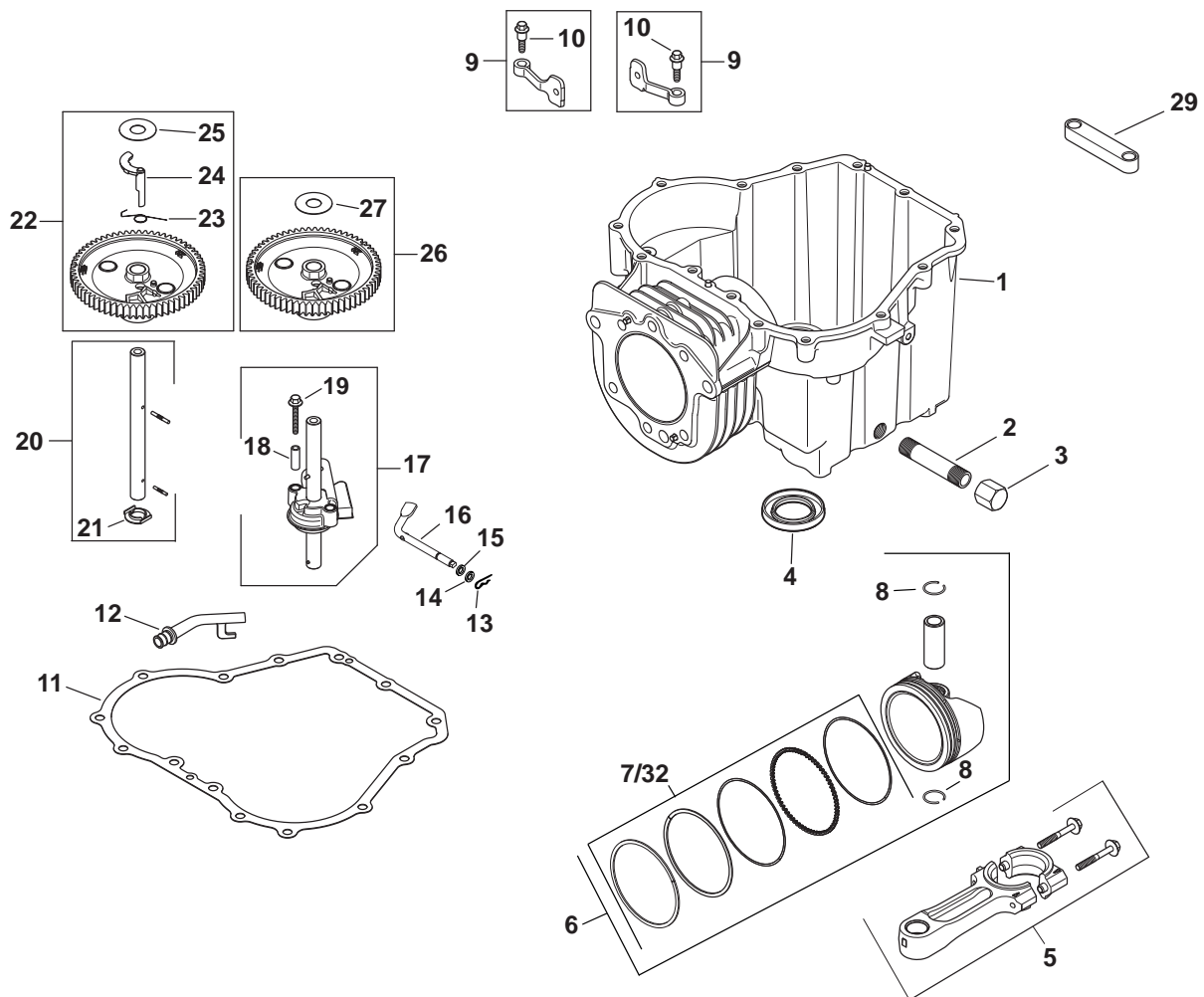
Reservdelar

KOHLER ENGINE - MODEL NO. SV470, TYPE NO.0213

CRANKSHAFT



CRANKCASE



KOHLER ENGINE - MODEL NO. SV470, TYPE NO.0213

CRANKSHAFT

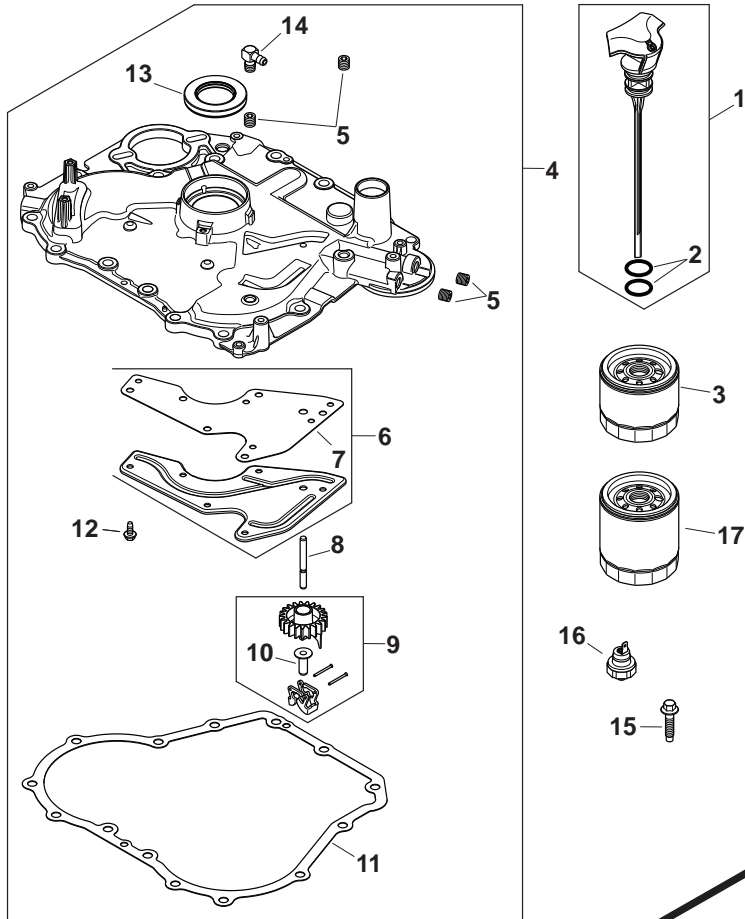
KEY NO.	PART NO.	DESCRIPTION
1	525 45 10-01 1	Kit, crankshaft assembly (includes 2)
2	523 06 02-01 1	Plug, cup
3	531 02 95-11 1	Key, 3/16" x 5/8"
4	525 45 30-01 1	Gear, crankshaft
5	525 45 31-01 4	Screw, flg m6x1.0x25
6	525 45 32-01 1	Screw, link pivot
7	525 45 33-01 1	Linkage, balance weight
8	525 45 34-01 1	Screw, shoulder

CRANKCASE

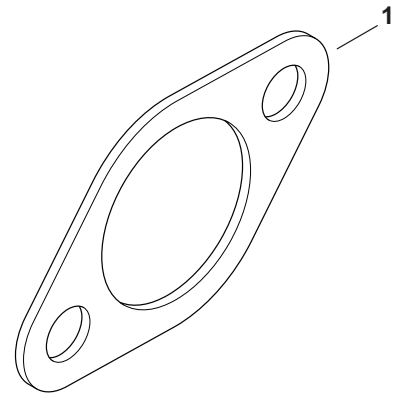
KEY NO.	PART NO.	DESCRIPTION
1		Crankcase (use: short block)
4	531 02 95-14 1	Seal, oil
5	525 45 11-01 1	Rod, connecting assembly
6	525 45 12-01 1	Kit, piston w/ring set (94mm) (includes 7,8)
7	525 45 13-01 1	Ring set (94mm)
8	525 45 14-01 2	Retainer, piston pin
9	531 02 95-33 2	Kit, cam lever assembly (includes 10)
10	531 02 95-34 2	Screw, shd thd frm m6x1x26
12	531 02 98-85 1	Tube, drainback
13	531 02 95-23 1	Clip, hitch pin
14	531 02 95-24 1	Washer, flat 6 mm
15	531 02 95-39 1	Washer, flat 1/4"
16	531 02 95-25 1	Shaft, governor cross
17	531 02 98-39 1	Kit, oil pump assembly (includes 11,18,19)
18	531 02 95-27 2	Spacer, oil pump screw
19	531 02 95-28 2	Screw, oil pump
20	531 02 98-77 1	Kit,cam center shaft (exhaust) (includes 21)
21	531 02 95-32 1	Washer, thrust
22	531 02 95-35 2	Kit, camshaft assembly (includes 23-25)
23	531 02 95-36 1	Spring, acr
24	531 02 95-37 1	Weight, acr
25	531 02 95-38 1	Washer, thrust -acr
26	531 02 95-35 1	Kit, camshaft assembly (includes 27)
27	531 02 95-38 1	Washer, thrust -acr

KOHLER ENGINE - MODEL NO. SV470, TYPE NO.0213

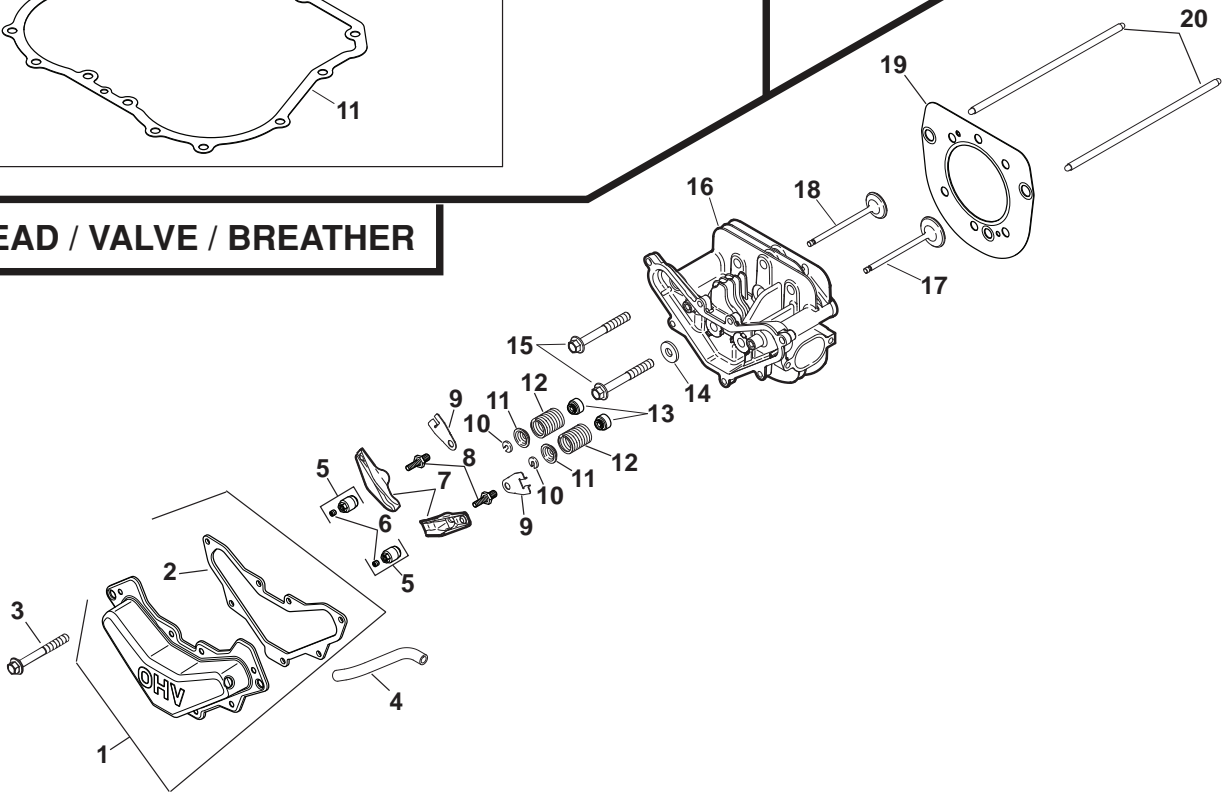
OIL / PAN LUBRICATION



ACCESSORIES



HEAD / VALVE / BREATHER



KOHLER ENGINE - MODEL NO. SV470, TYPE NO.0213

OIL PAN/LUBRICATION

KEY NO.	PART NO.	DESCRIPTION
1	510 44 22-01 1	Dipstick assembly-std yellow (includes 2)
2	531 02 95-41 2	O-ring
4	504 57 73-01 1	Closure plate assembly (includes 5-14)
5	531 02 95-43 1	Plug, ctsk pipe 1/8"
6	531 02 95-45 1	Kit, oil passage cover (includes 7)
7	531 02 95-46 1	Gasket, oil passage
8	531 02 95-47 1	Shaft, governor cross
9	531 02 95-48 1	Governor gear assembly (includes 10)
10	531 02 95-49 1	Pin, governor regulating
11	531 02 95-44 1	Gasket, closure plate
12	531 02 95-50 6	Screw, flg thd frm m5x0.8x13
13	531 02 95-14 1	Seal, oil
14	531 02 98-73 1	Connector, 90° hose
15	504 58 04-01 14	Hex flange screw, 1/2 dog point
17	531 02 95-03 1	Filter, oil

ACCESSORIES

KEY NO.	PART NO.	DESCRIPTION
1	531 02 96-32 1	Gasket, exhaust

SHORT BLOCK

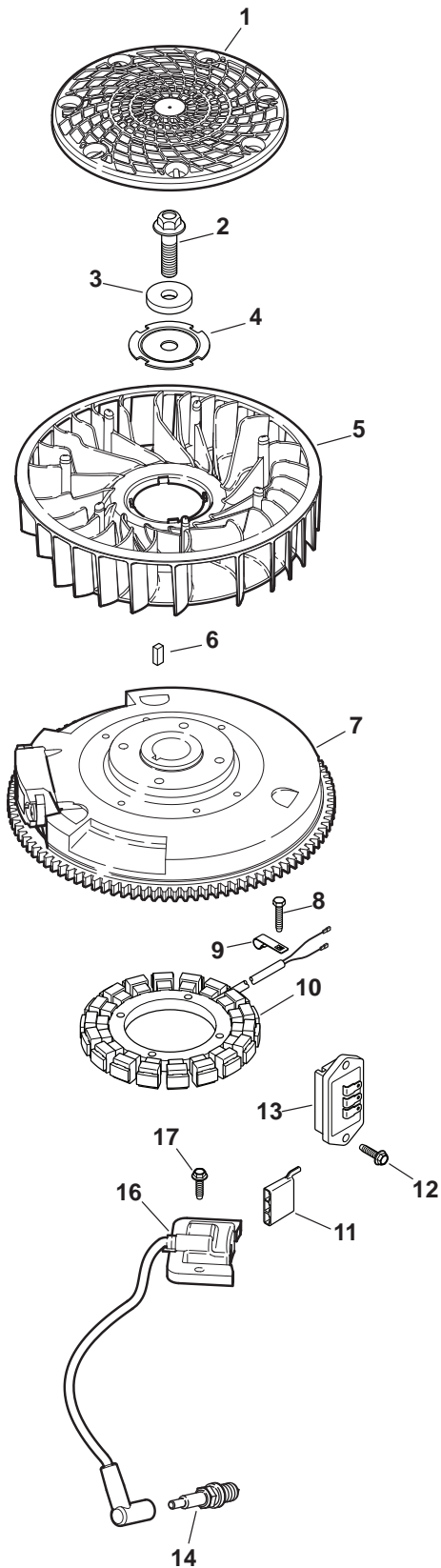
KEY NO.	PART NO.	DESCRIPTION
	522 90 61-01 1	Sv590/600 short block
	531 02 96-34 1	Gasket set

HEAD/VALVE/BREATHER

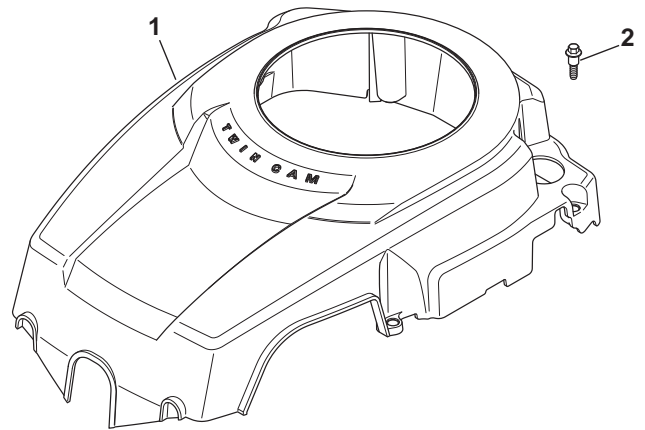
KEY NO.	PART NO.	DESCRIPTION
1	531 02 98-78 1	Kit, valve cover (includes 2)
2	531 02 95-54 1	Gasket, valve cover
3	531 02 95-55 7	Screw, flg thd frm m6x1.0x20
4	531 02 95-56 1	Hose, breather
5	531 02 95-57 2	Rocker pivot assembly
6	531 02 95-58 2	Screw, set
7	531 02 95-59 2	Arm, rocker
8	510 43 90-01 2	Stud, rocker
9	531 02 95-61 2	Plate, push rod guide
10	531 02 95-62 2	Lock, retainer
11	531 02 95-63 2	Cap, valve spring
12	531 02 95-64 2	Spring, valve
14	531 02 95-66 1	Washer, flat 13/32"
15	531 02 95-65 6	Screw, flg m10x1.5x80
16	525 45 36-01 1	Kit, cylinder head
17	531 02 95-68 1	Valve, exhaust
18	531 02 95-69 1	Valve, intake
19	531 02 96-90 1	Kit, cylinder head gasket (includes 2,13,14,12 041 01-s, 12 041 02-s, 20 041 12-s, 20 041 18-s 20 041 17-s, 25 086 87-s & x-21-1-s)
20	531 02 95-71 2	Rod, push
NOT ILLUSTRATED		
	531 02 95-99 1	Gasket, carburetor
	531 02 96-00 1	Gasket, air cleaner base
	531 02 96-32 1	Gasket, exhaust
	504 57 75-01 1	Gasket, heat deflector
	531 02 95-95 1	Gasket, heat deflector
	525 45 25-01 2	Screw, hex socket head cap
	525 45 26-01 2	Washer, spring lock 5/16"

KOHLER ENGINE - MODEL NO. SV470, TYPE NO.0213

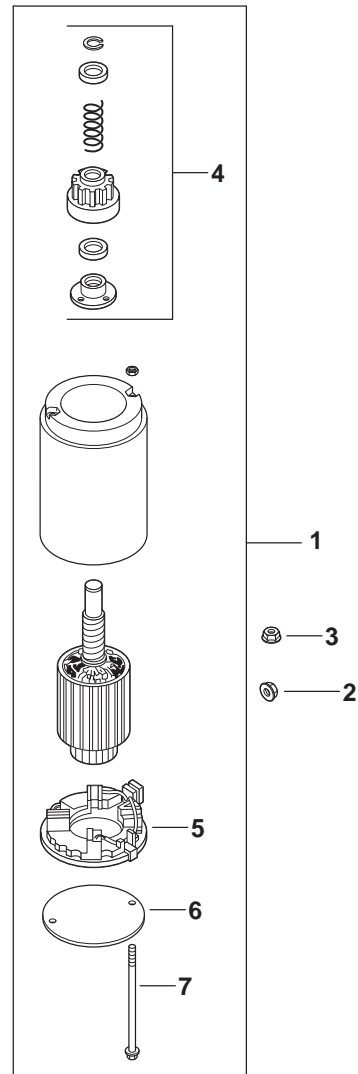
IGNITION / ELECTRICAL



BLOWER HOUSING & BAFFLES



STARTING SYSTEM



KOHLER ENGINE - MODEL NO. SV470, TYPE NO.0213

IGNITION/ELECTRICAL

KEY NO.	PART NO.	DESCRIPTION
1	531 02 95-72 1	Screen, grass
2	504 57 86-01 1	Screw, hex flange
3	504 58 05-01 1	Washer, flat
4	544 93 68-01 1	Plate, fan mounting
5	531 02 95-76 1	Fan
6	510 43 92-01 1	Key, straight flywheel
7	510 43 91-01 1	Flywheel
8	531 02 98-87 2	Screw, thd frm m5x0.8x25
9	504 57 78-01 1	Clip, wire
10	531 02 95-82 1	Kit, 15 amp stator (includes 25 452 01-s)
11	523 06 06-01 1	Connector
13	504 57 71-01 1	Regulator/rectifier
14	531 02 99-75 1	Spark plug, rfi
16	531 02 95-87 1	Module, ignition (cdi fixed)
17	531 02 95-84 2	Screw, flg thd frm m5x.8x20
NOT ILLUSTRATED		
	523 06 07-01 1	Harness, wiring
	544 93 71-01 1	Tie

BLOWER HOUSING & BAFFLES

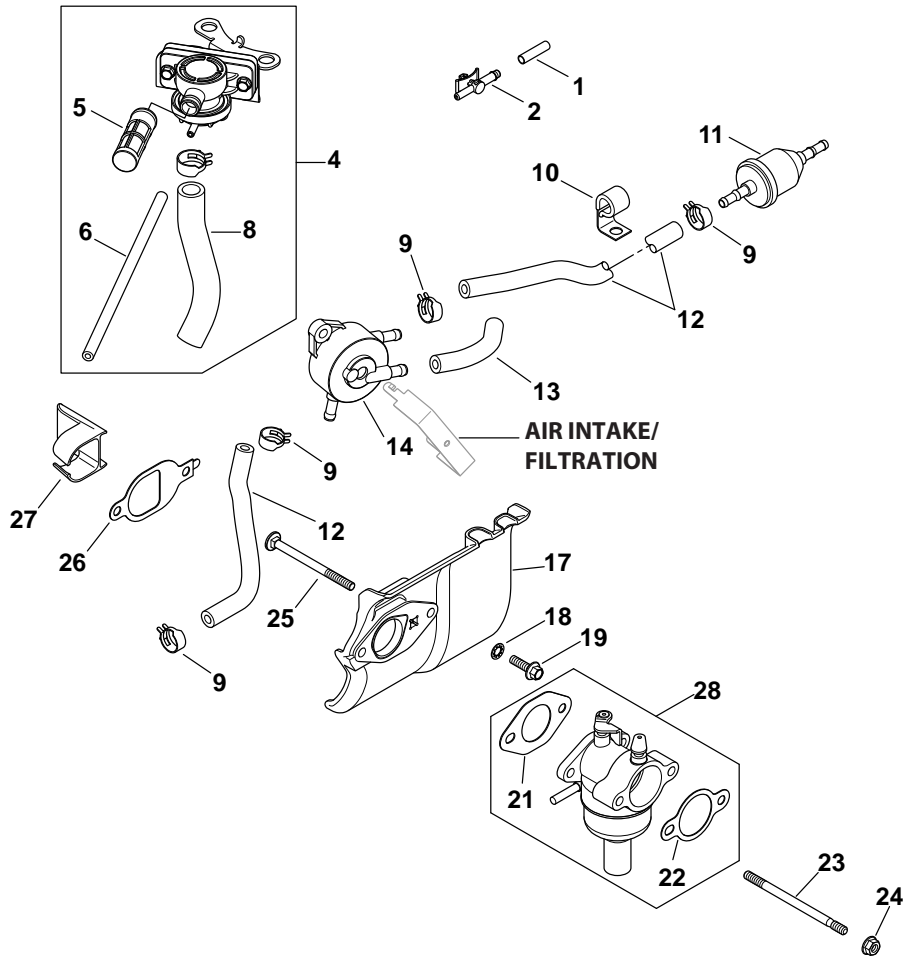
KEY NO.	PART NO.	DESCRIPTION
1	531 02 95-89 1	Kit, blower housing (includes 41 037 10-s)
2	531 02 95-34 4	Screw, shd thd frm m6x1x26
NOT ILLUSTRATED		
	531 02 99-27 1	Nameplate, service

STARTING SYSTEM

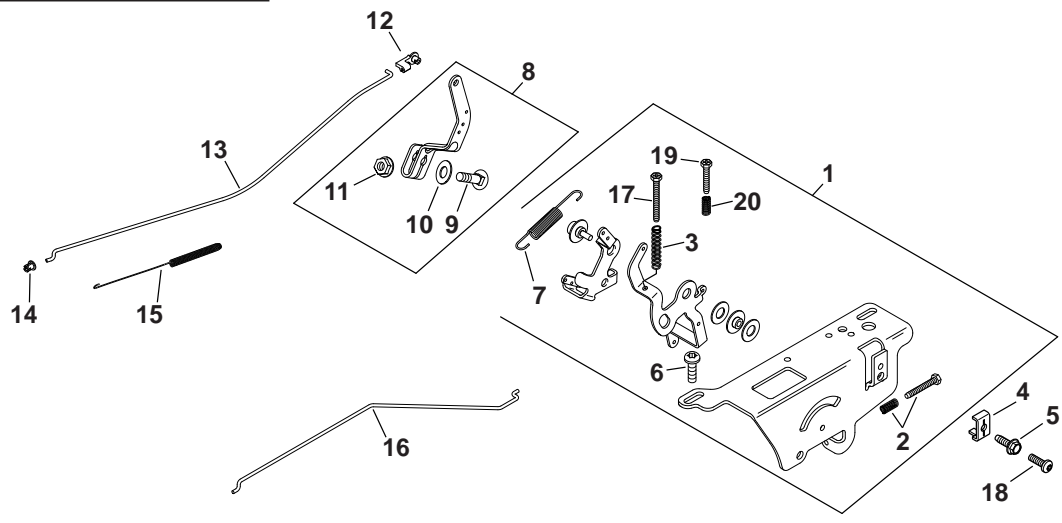
KEY NO.	PART NO.	DESCRIPTION
1	531 02 95-93 1	Starter assembly
3	531 02 95-94 2	Nut, free spinning flg #10-24
4	504 57 85-01 1	Kit, drive (j.E.)
5	504 57 72-01 1	Brush kit
6	504 57 82-01 1	Cap, drive end (j.E.)
7	504 57 80-01 1	Bolt, thru

KOHLER ENGINE - MODEL NO. SV470, TYPE NO.0213

FUEL SYSTEM



ENGINE CONTROLS



KOHLER ENGINE - MODEL NO. SV470, TYPE NO.0213

FUEL SYSTEM

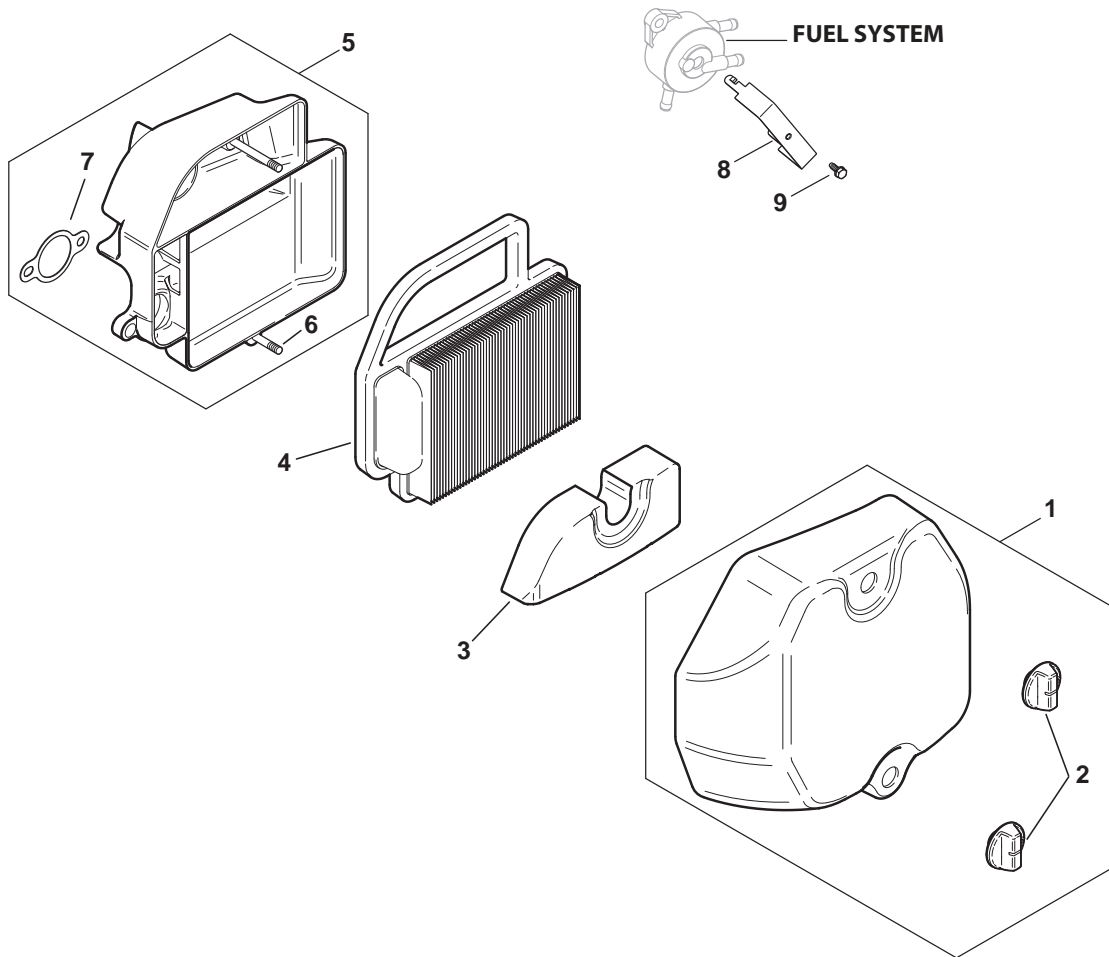
KEY NO.	PART NO.	DESCRIPTION
9	531 02 96-04 4	Clamp, hose 1/2"
10	531 02 97-83 1	Clip, cable
11	531 02 98-62 1	Filter, fuel
12	531 02 99-87 2	Line, fuel (24"-cut to length)
13	510 43 94-01 1	Line, fuel
14	531 02 97-87 1	Pump, fuel
17	523 06 08-01 1	Kit, heat deflector
18	531 02 96-06 1	Washer, int tooth lock 1/4"
19	531 02 95-97 1	Screw, flg m6x1.0x20
21	531 02 95-99 1	Gasket, carburetor
22	531 02 96-00 1	Gasket, air cleaner base
23	531 02 96-01 1	Stud, m6x1.0x100
24	531 02 96-02 2	Nut, flg m6x1.0
25	504 57 77-01 1	Stud, carburetor
26	504 57 75-01 1	Gasket, heat deflector
28	525 45 27-01 1	Kit, carburetor service (includes 21,22)
NOT ILLUSTRATED		
	544 93 71-01 1	Tie
	510 44 04-01 1	Kit,high alt(5000 or 10000 ft)
	510 44 01-01 1	Kit, repair choke
	531 02 96-07 1	Kit, repair float
	531 02 96-08 1	Kit, repair carburetor
	531 02 96-09 1	Kit, repair solenoid
	531 02 96-10 1	Kit, repair bowl replacement
	544 36 89-01 1	Kit, high altitude (10,000 ft)

ENGINE CONTROLS

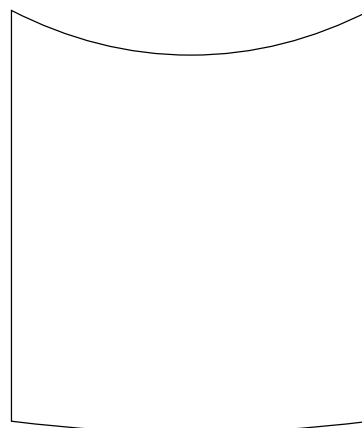
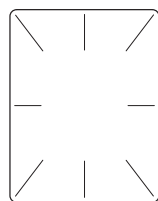
KEY NO.	PART NO.	DESCRIPTION
1	531 02 98-79 1	Kit, speed control assembly (includes 2,3,6 [qty.1],7,17,19,20)
2	525 45 28-01 1	Kit, idle adj screw & spring
4	531 02 96-13 1	Clamp, cable
6	531 02 96-15 2	Screw, lbd skt m6x1.0x20
7	531 02 96-23 1	Spring, governor
8	531 02 96-19 1	Lever, governor assembly (includes 9-11)
9	531 02 96-20 1	Bolt, rd hd sq nck 1/4-20x1"
10	531 02 96-06 1	Washer, int tooth lock 1/4"
11	531 02 96-22 1	Nut, hex flg 1/4-20"
12	531 02 96-24 1	Bushing, throttle linkage
13	531 02 96-25 1	Linkage, throttle
14	531 02 96-26 1	Bushing, linkage retaining
15	531 02 98-96 1	Spring, linkage
16	531 02 96-16 1	Linkage, choke
18	531 02 96-14 1	Screw, lbd thd frm m5x0.8x16
19	531 02 96-18 1	Screw, phl thd frm m4x0.7x25
20	531 02 96-17 1	Spring, speed control (short)

KOHLER ENGINE - MODEL NO. SV470, TYPE NO.0213

AIR INTAKE / FILTRATION



DECALS



Artwork is representative.
Actual labels may differ depending on model and specification number.

KOHLER ENGINE - MODEL NO. SV470, TYPE NO.0213

AIR INTAKE/FILTRATION

KEY NO.	PART NO.	DESCRIPTION
1	531 02 97-25 1	Kit, air cleaner cover (includes 2)
2	531 02 98-38 2	Knob, cover
4	531 02 95-01 1	Element, air cleaner
5	531 02 96-29 1	Kit, air cleaner base (includes 6,7)
6	504 57 76-01 2	Stud, air cleaner base
7	531 02 96-00 1	Gasket, air cleaner base
8	510 43 93 01 1	Bracket, fuel pump
9	510 43 99-01 1	Screw, thrd frm m4x0.7x10

DECALS

KEY NO.	PART NO.	DESCRIPTION
1	531 02 98-42 1	Decal, clear laminate
4	525 45 29-01 1	Decal - 15hp