

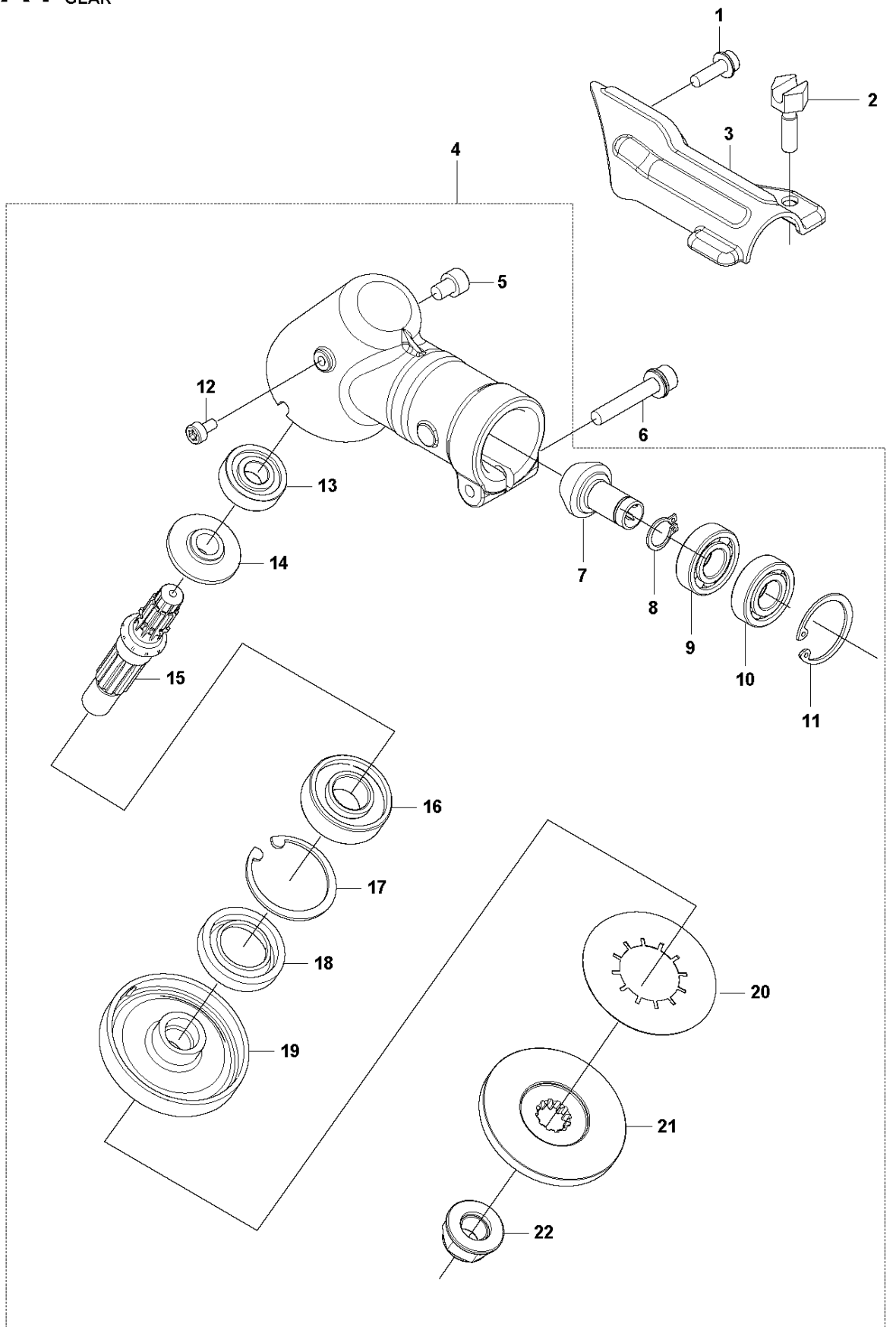


SPARE PARTS LIST

BRUSHCUTTERS/CLEARING SAWS

531 RS, 2018-01

A1 531RS (All except Asia)
GEAR

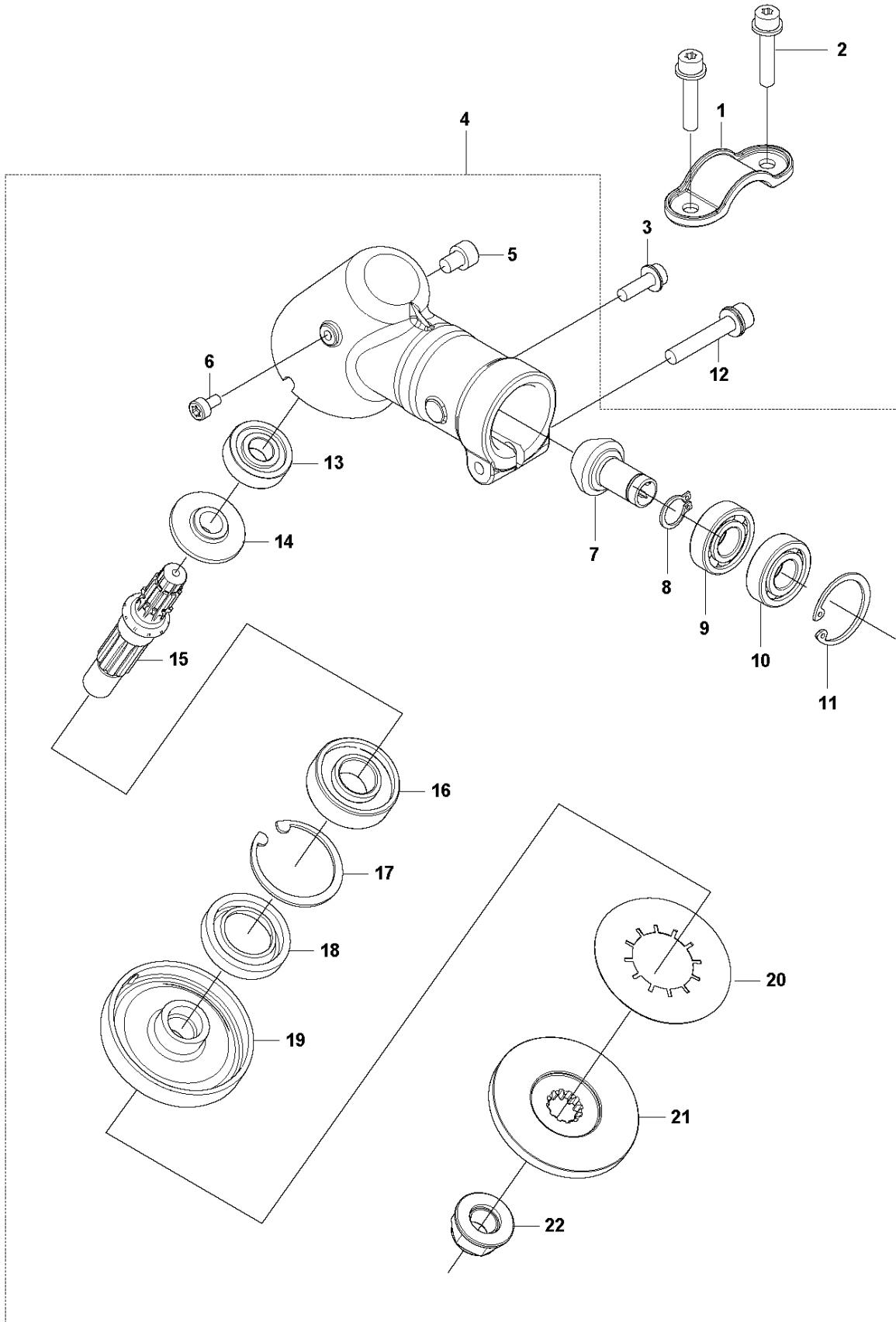


GEARS

531 RS, 2018-01

Ref	Part No	Description	Remark	QTY	KIT
1	574 71 08-01	BOLT		1	
2	537 18 95-01	SCREW		1	
3	528 81 85-01	BRACKET		1	
4	579 07 62-01	GEAR CASE		1	
5	521 86 20-01	BOLT		1	4
6	576 59 07-01	BOLT		1	
7	579 07 68-01	PINION		1	4
8	516 12 41-01	RING		1	4
9	516 12 79-01	BEARING		1	4
10	516 13 00-01	BEARING		1	4
11	506 60 99-01	RING		1	4
12	544 36 27-01	BOLT		1	4
13	505 17 02-01	BEARING		1	4
14	579 07 67-01	GEAR		1	4
15	579 07 66-01	SHAFT		1	4
16	516 13 17-01	BALL BEARING		1	4
17	502 84 93-01	SNAP RING		1	4
18	521 52 22-01	SEAL		1	4
19	579 07 69-01	HOLDER		1	4
20	579 07 70-01	PLATE		1	4
21	579 07 71-01	HOLDER		1	4
22	579 07 64-01	NUT		1	4

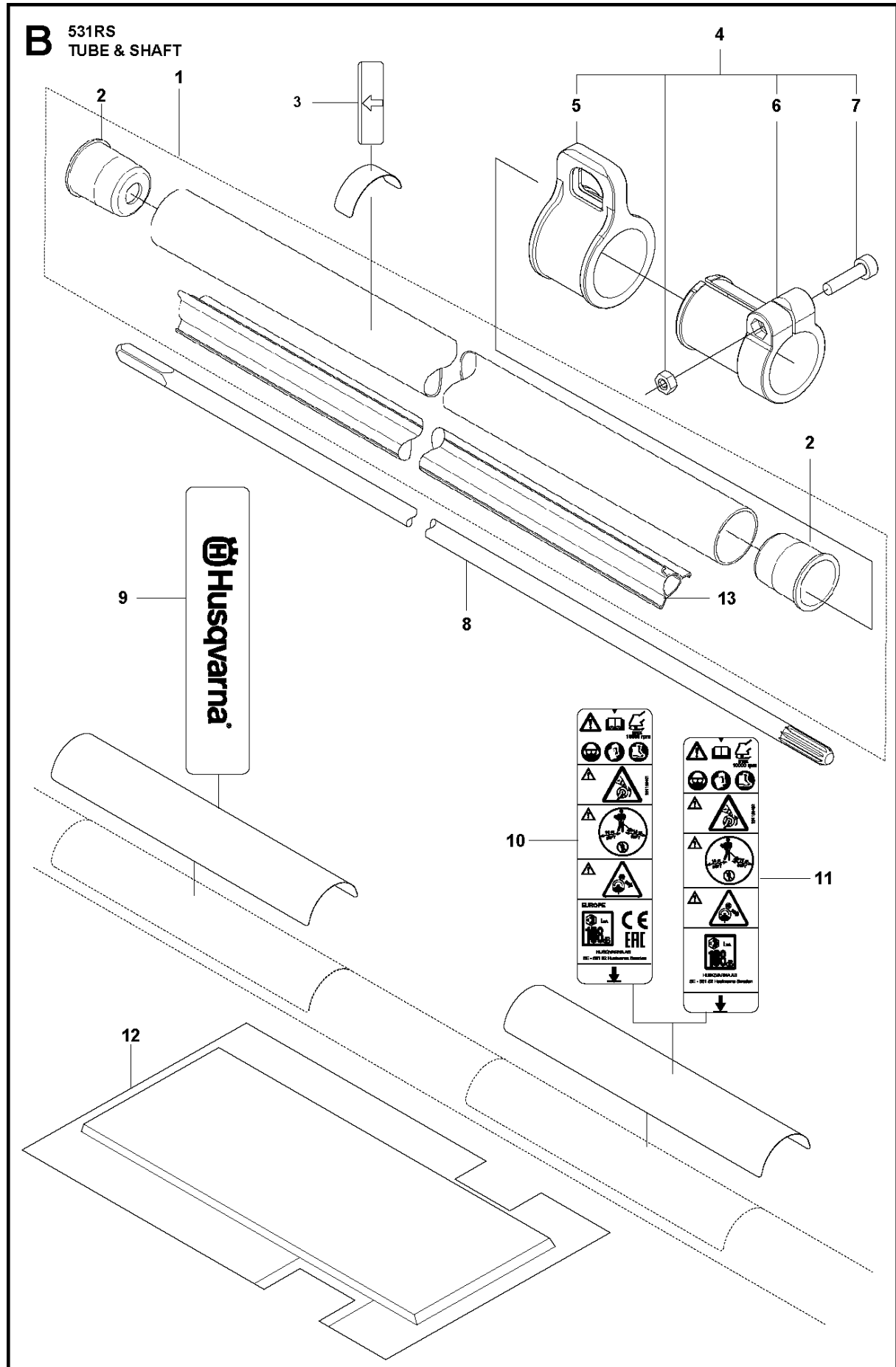
A2 531RS(Asia)
GEAR



GEARS

531 RS, 2018-01

Ref	Part No	Description	Remark	QTY	KIT
1	514 36 34-01	CLAMP		1	
2	576 59 07-01	BOLT		2	
3	574 71 08-01	BOLT		1	
4	579 07 62-01	GEAR CASE		1	
5	521 86 20-01	BOLT		1	4
6	544 36 27-01	BOLT		1	4
7	579 07 68-01	PINION		1	4
8	516 12 41-01	RING		1	4
9	516 12 79-01	BEARING		1	4
10	516 13 00-01	BEARING		1	4
11	506 60 99-01	RING		1	4
12	576 59 07-01	BOLT		1	
13	505 17 02-01	BEARING		1	4
14	579 07 67-01	GEAR		1	4
15	579 07 66-01	SHAFT		1	4
16	516 13 17-01	BALL BEARING		1	4
17	502 84 93-01	SNAP RING		1	4
18	521 52 22-01	SEAL		1	4
19	579 07 69-01	HOLDER		1	4
20	579 07 70-01	PLATE		1	4
21	579 07 71-01	HOLDER		1	4
22	579 07 64-01	NUT		1	4

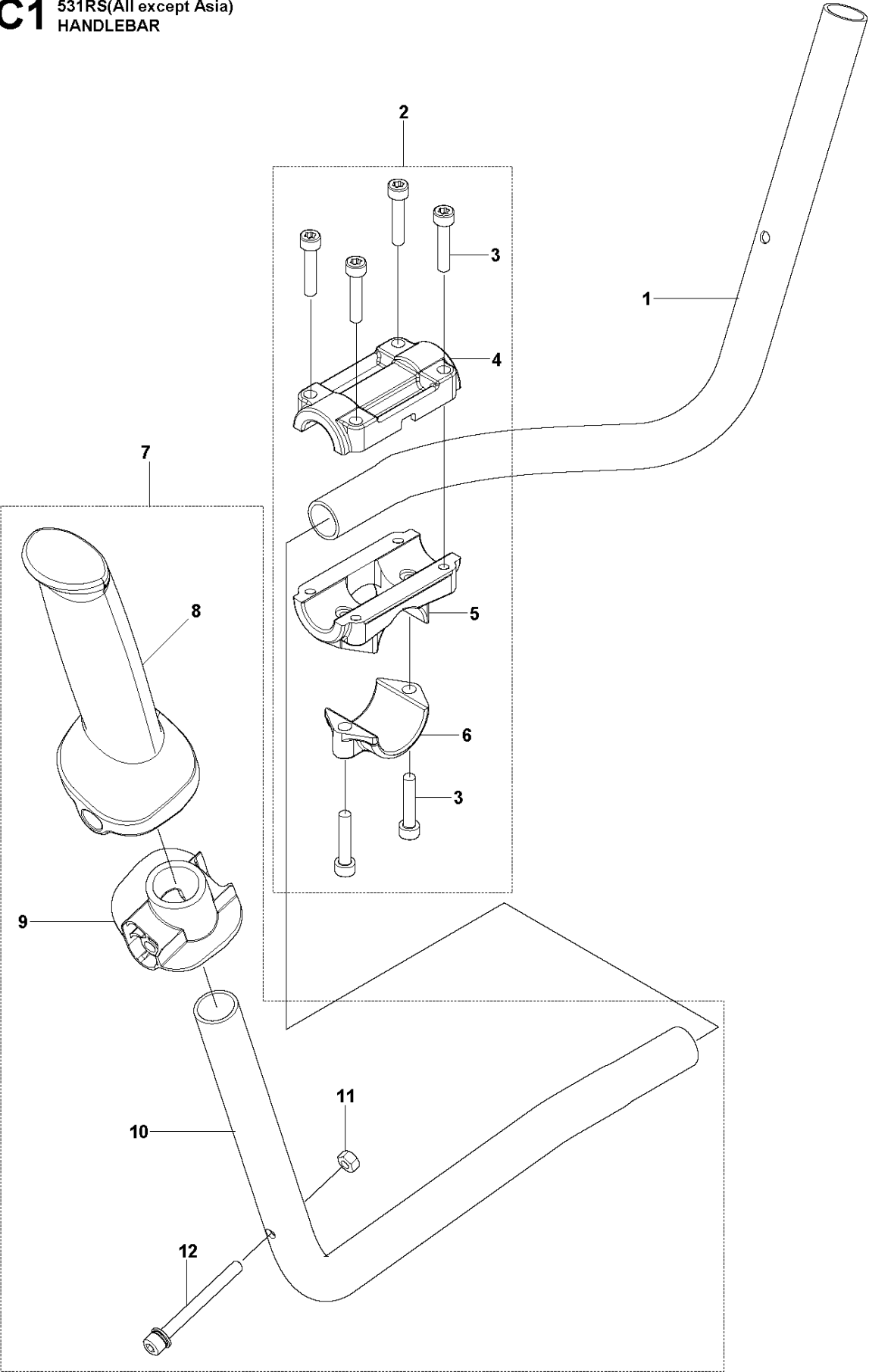


TUBE & SHAFT

531 RS, 2018-01

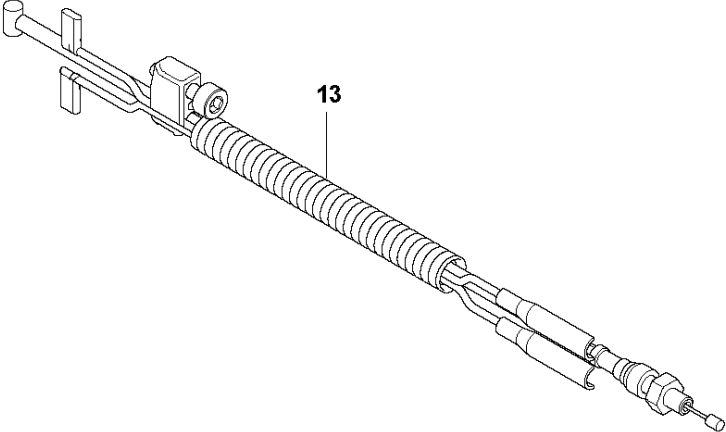
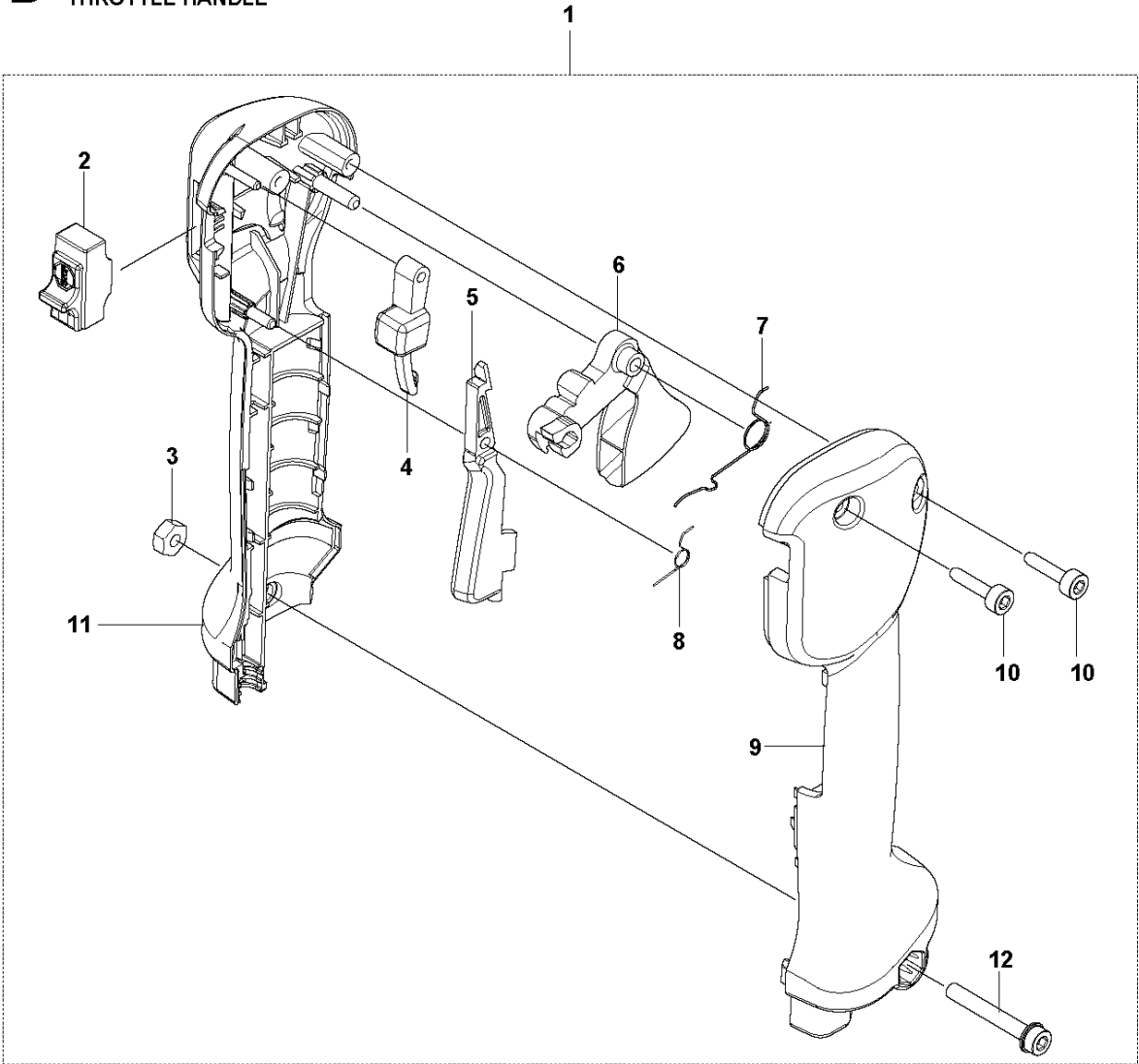
Ref	Part No	Description	Remark	QTY	KIT
1	501 91 97-04	TUBE ASSY		1	
2	537 36 02-01	SPACER		1	1
3	505 29 58-01	LABEL	Asia	1	
4	591 44 93-02	HANGER ASSY		1	
5	505 29 55-01	CLAMP		1	4
6	505 29 54-01	HANGER		1	4
7	504 11 43-01	SCREW		1	4
8	583 94 32-01	DRIVE SHAFT		1	
9	584 63 69-01	DECAL		1	
10	591 19 84-01	DECAL	All except Asia	1	
11	591 19 84-02	DECAL	Asia	1	
12	521 53 87-01	PROTECTION		1	
13	537 31 39-06	GUIDE		1	1

C1 531RS(All except Asia)
HANDLEBAR



Ref	Part No	Description	Remark	QTY	KIT
1	593 06 96-01	HANDLE	All except Asia	1	
2	592 74 63-02	HANDLE ASSY		1	
3	512 84 57-01	BOLT		6	2
4	505 29 49-01	CAP		1	2
5	505 29 47-01	BRACKET		1	2
6	505 29 48-01	CAP		1	2
7	593 35 25-02	HANDLE ASSY		1	
8	537 17 28-02	HANDLE		1	7
9	537 17 29-01	COVER		1	7
10	593 06 97-01	HANDLE	All except Asia	1	7
11	731 23 14-01	HEXAGON NUT		1	7
12	510 90 94-01	BOLT		1	7

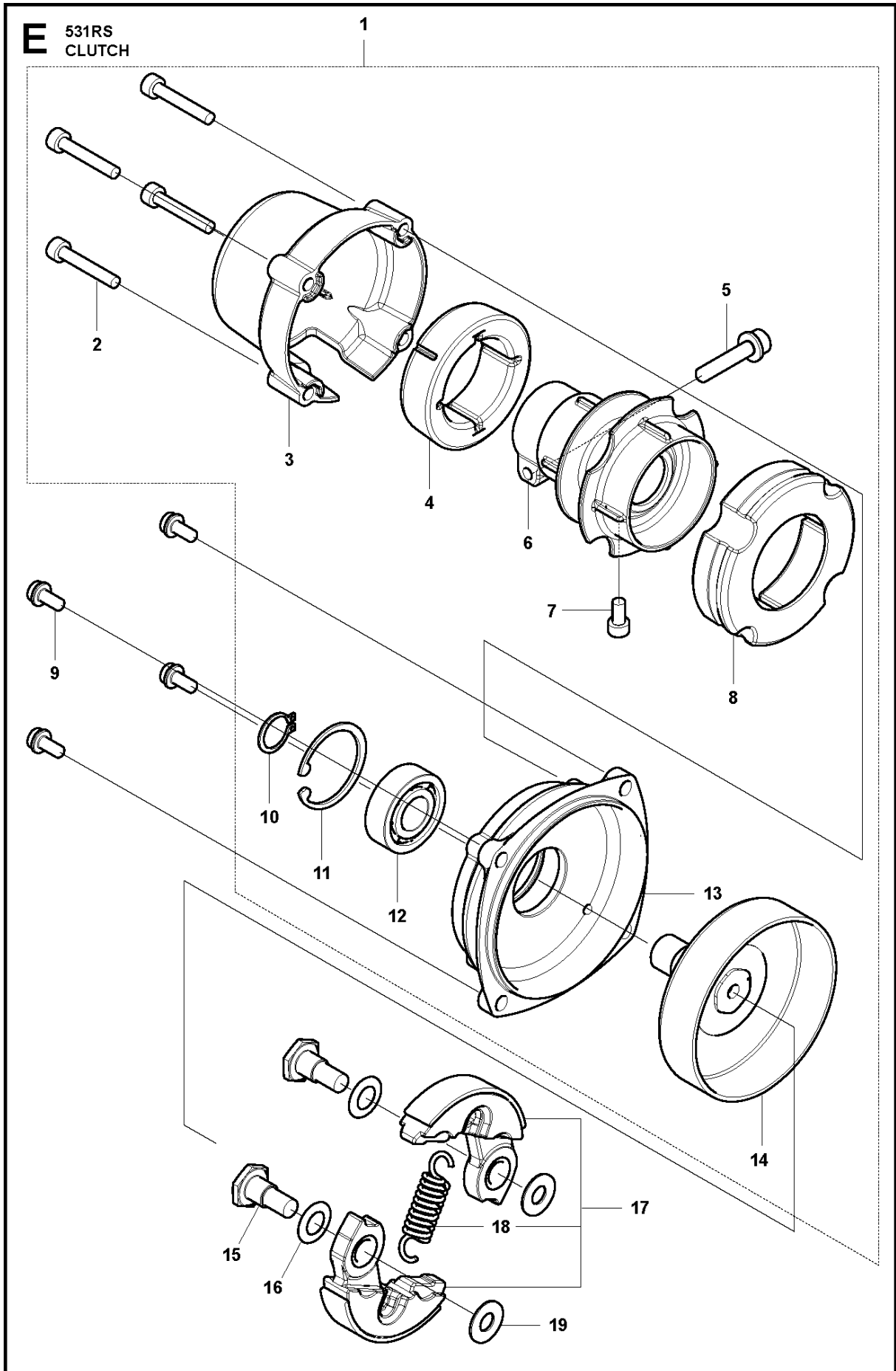
D 531RS
THROTTLE HANDLE



THROTTLE CONTROLS

531 RS, 2018-01

Ref	Part No	Description	Remark	QTY	KIT
1	537 18 35-07	HANDLE ASSY		1	
2	503 71 82-01	SWITCH		1	1
3	503 22 10-13	HEXAGON NUT		1	1
4	537 16 07-03	STARTER THROTTLE LOC		1	1
5	506 49 51-01	THROTTLE LOCKOUT		1	1
6	506 49 50-01	THROTTLE CONTROL		1	1
7	537 17 42-01	SPRING THROTTLE TRIG		1	1
8	537 17 43-01	SPRING		1	1
9	537 16 03-01	HANDLE HALF		1	1
10	503 21 66-74	SCREW IHSC T		2	1
12	503 20 07-82	SCREW IHSCFM		1	1
11	537 16 02-03	HANDLE HALF		1	1
13	522 03 66-01	THROTTLE CABLE ASSY		1	

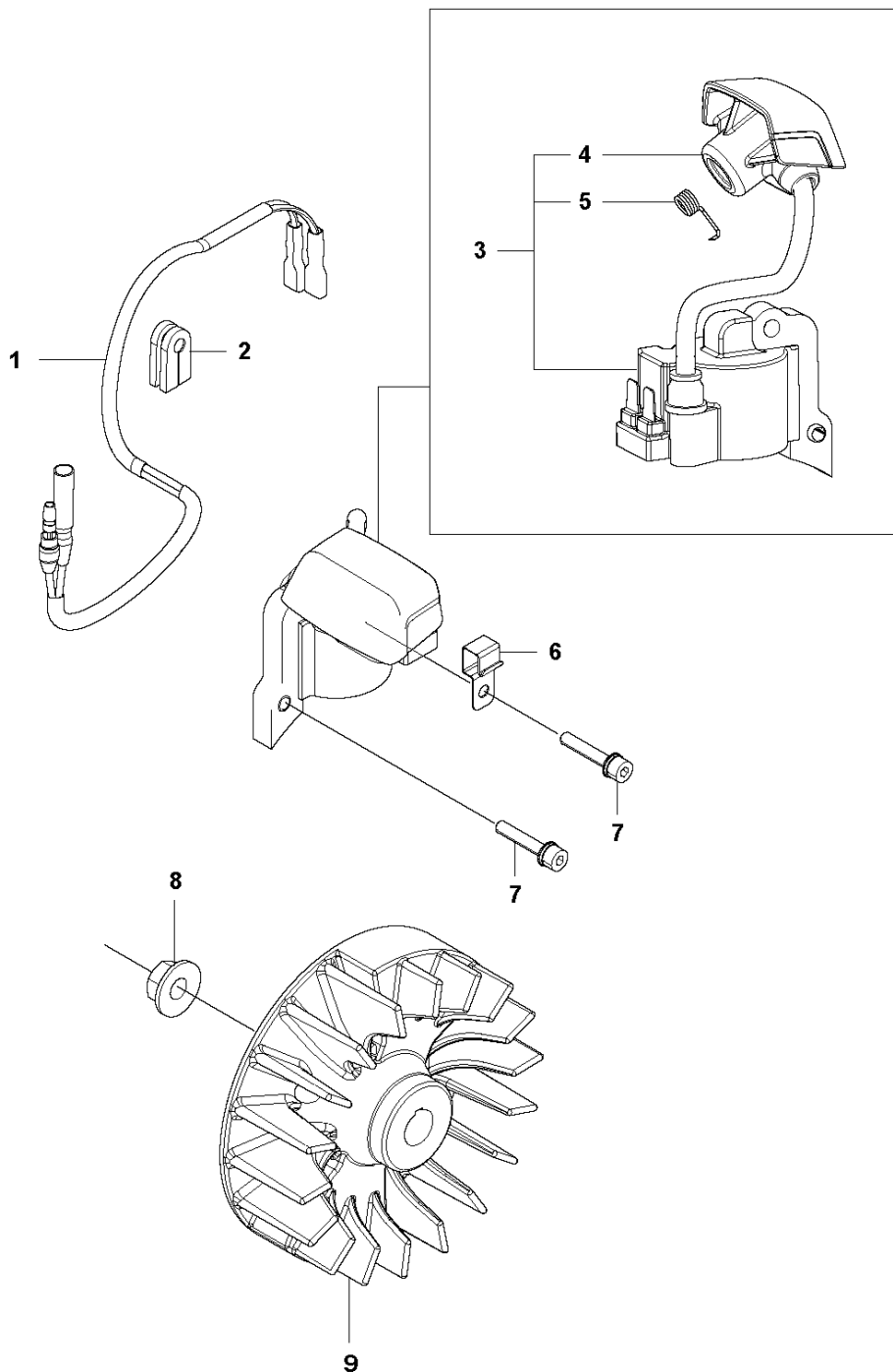


CLUTCH

531 RS, 2018-01

Ref	Part No	Description	Remark	QTY	KIT
1	591 43 81-02	HOUSING ASSY		1	
2	586 49 62-01	BOLT		4	1
3	505 29 30-01	HUB CAP		1	1
4	505 29 33-01	ABSORBER		1	1
5	576 59 07-01	BOLT		1	1
6	505 29 32-01	JOINT		1	1
7	504 11 96-01	SCREW		1	1
8	505 29 34-01	ABSORBER		1	1
9	523 01 90-01	BOLT		4	
10	516 12 42-01	RING		1	1
11	502 84 93-01	SNAP RING		1	1
12	516 13 17-01	BALL BEARING		1	1
13	505 29 29-01	HOUSING		1	1
14	505 29 38-01	DRUM		1	1
15	505 29 78-01	SCREW		2	
16	505 29 81-01	WASHER		2	
17	513 37 15-01	SHOE-C	531RS	1	
18	513 37 16-01	SPRING		1	17
19	505 29 80-01	WASHER		2	

F 531RS
IGNITION

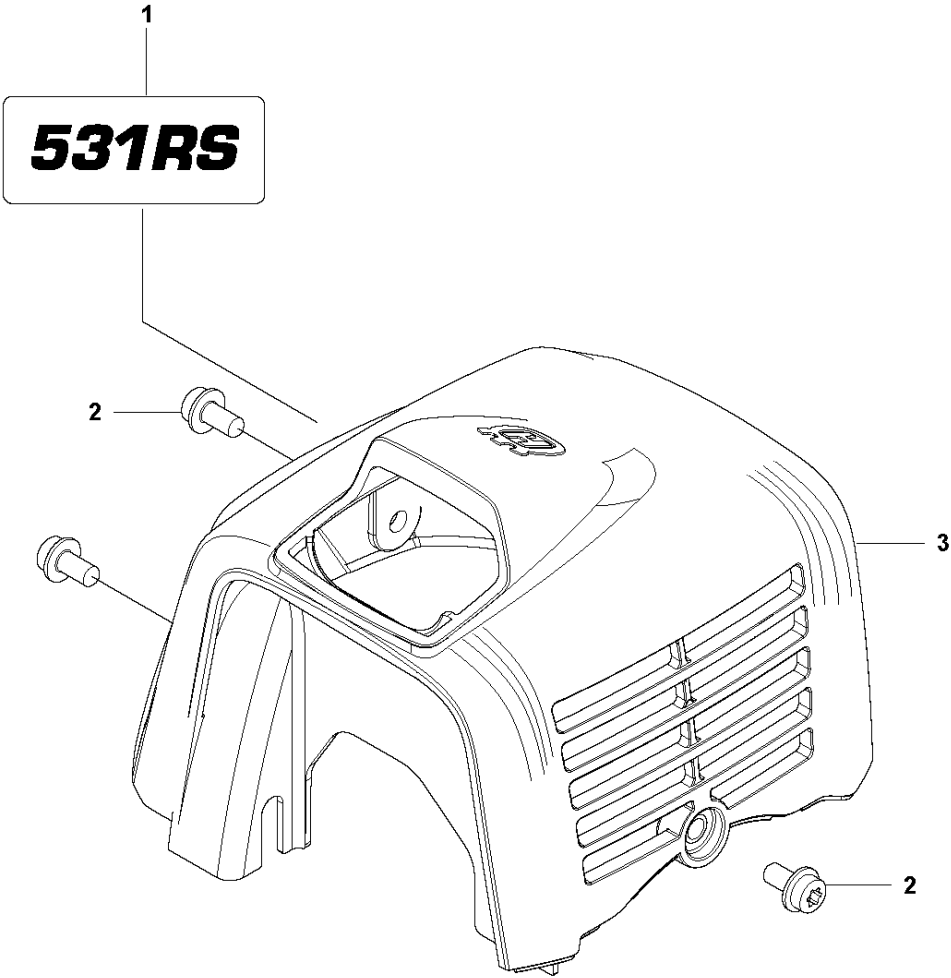


IGNITION SYSTEM

531 RS, 2018-01

Ref	Part No	Description	Remark	QTY	KIT
1	592 75 65-02	CORD		1	
2	593 73 26-01	GROMMET		1	
3	590 57 78-01	IGNITION MODULE ASSY		1	
4	590 57 82-01	SPARK PLUG CAP		1	3
5	592 73 98-01	SPRING		1	3
6	590 57 81-01	CLAMP		1	
7	521 51 58-01	BOLT		2	
8	504 11 80-01	NUT		1	
9	505 29 82-01	ROTOR		1	

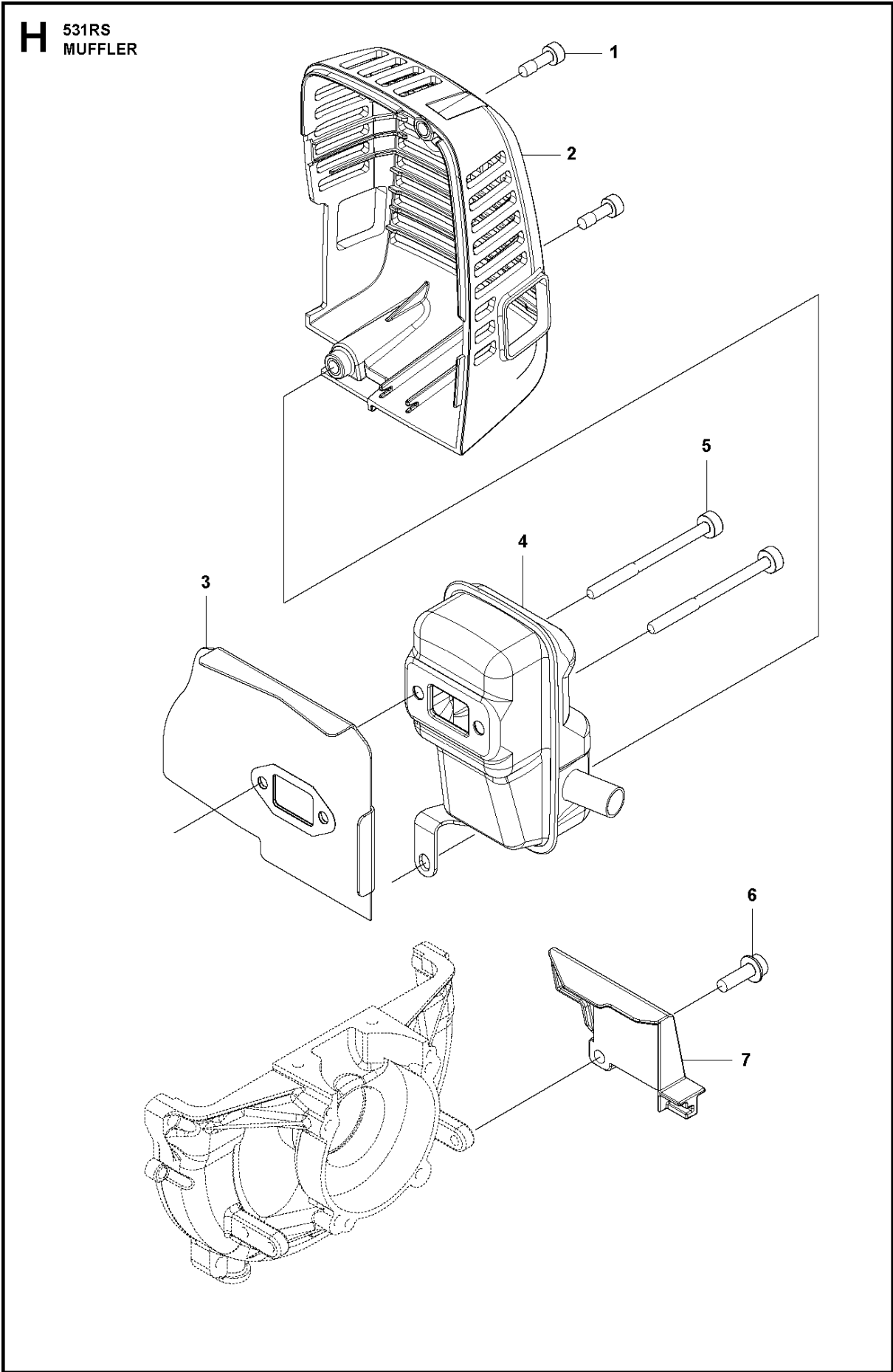
G 531RS
CYLINDER COVER



CYLINDER COVER

531 RS, 2018-01

Ref	Part No	Description	Remark	QTY KIT
1	591 20 01-03	DECAL	531RS	1
2	521 51 59-01	BOLT		3
3	590 57 86-01	CYLINDER COVER		1

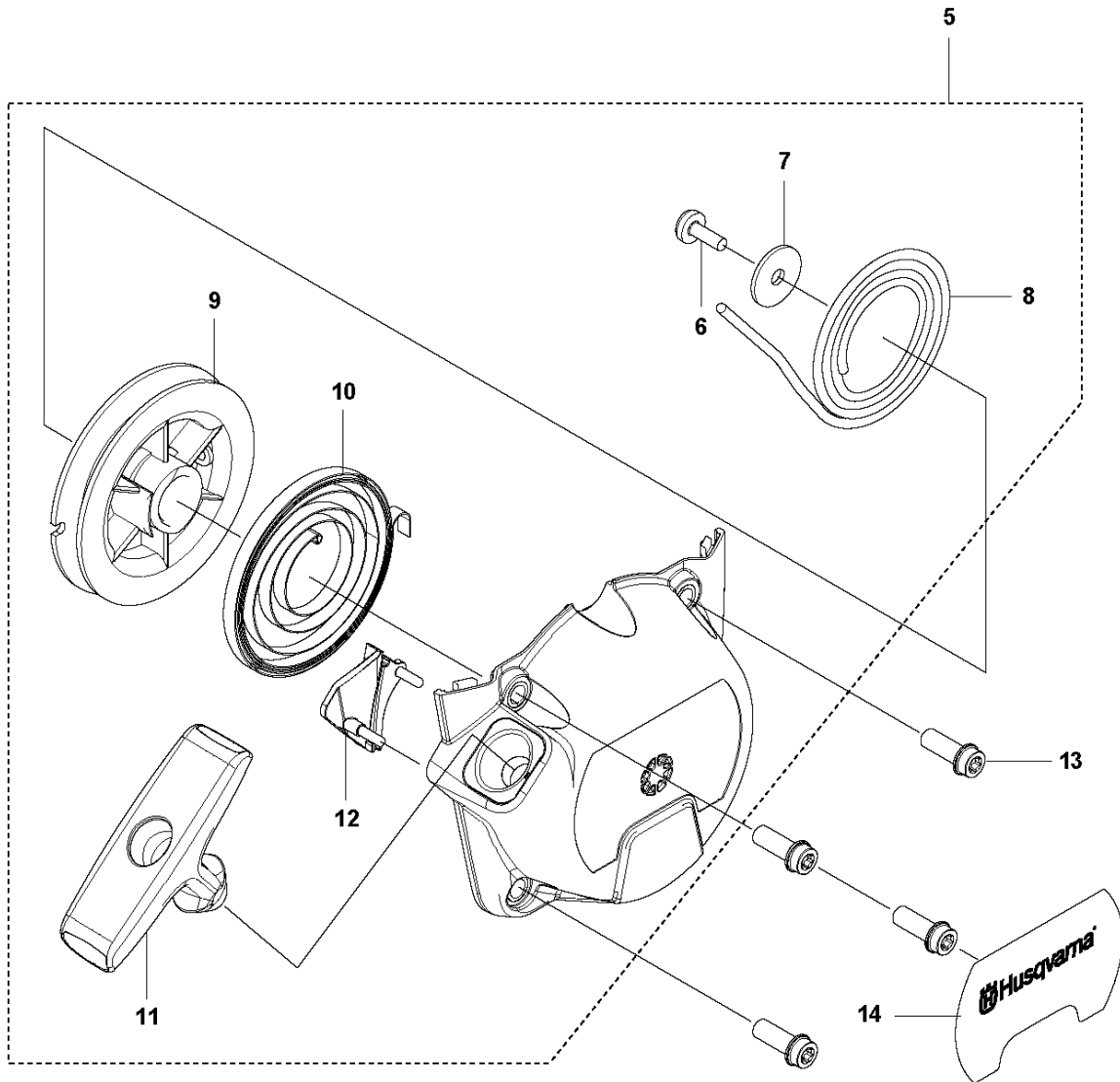
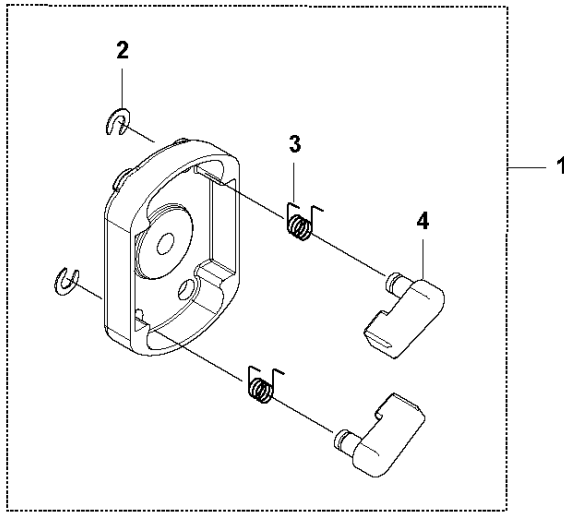


MUFFLER

531 RS, 2018-01

Ref	Part No	Description	Remark	QTY KIT
1	591 35 84-01	SCREW		2
2	590 57 85-01	MUFFLER COVER		1
3	591 10 30-01	GASKET		1
4	515 37 45-01	MUFFLER		1
5	581 37 91-01	BOLT		2
6	515 39 13-01	BOLT		1
7	590 57 84-01	PLATE		1

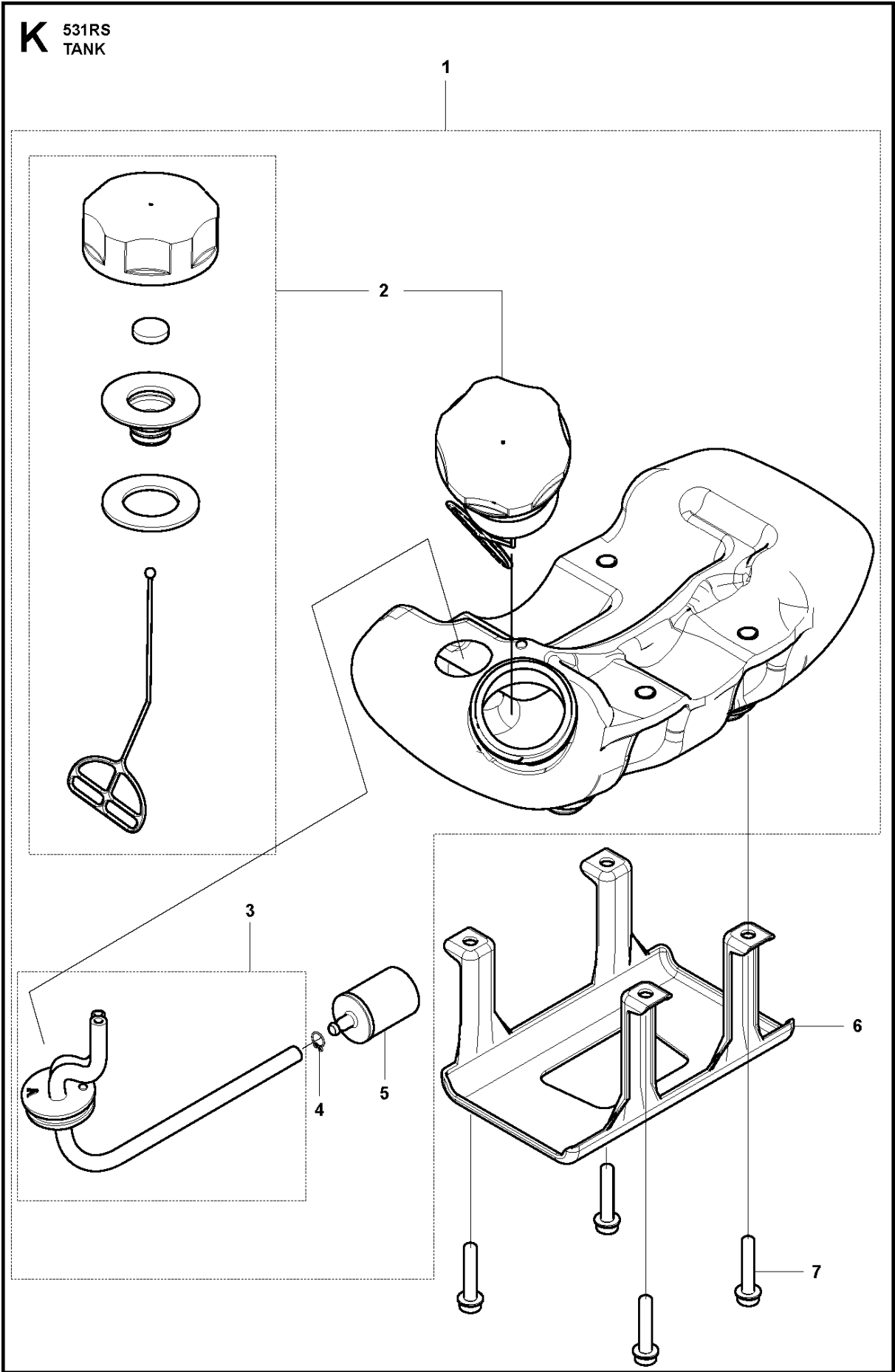
J 531RS
STARTER



STARTER

531 RS, 2018-01

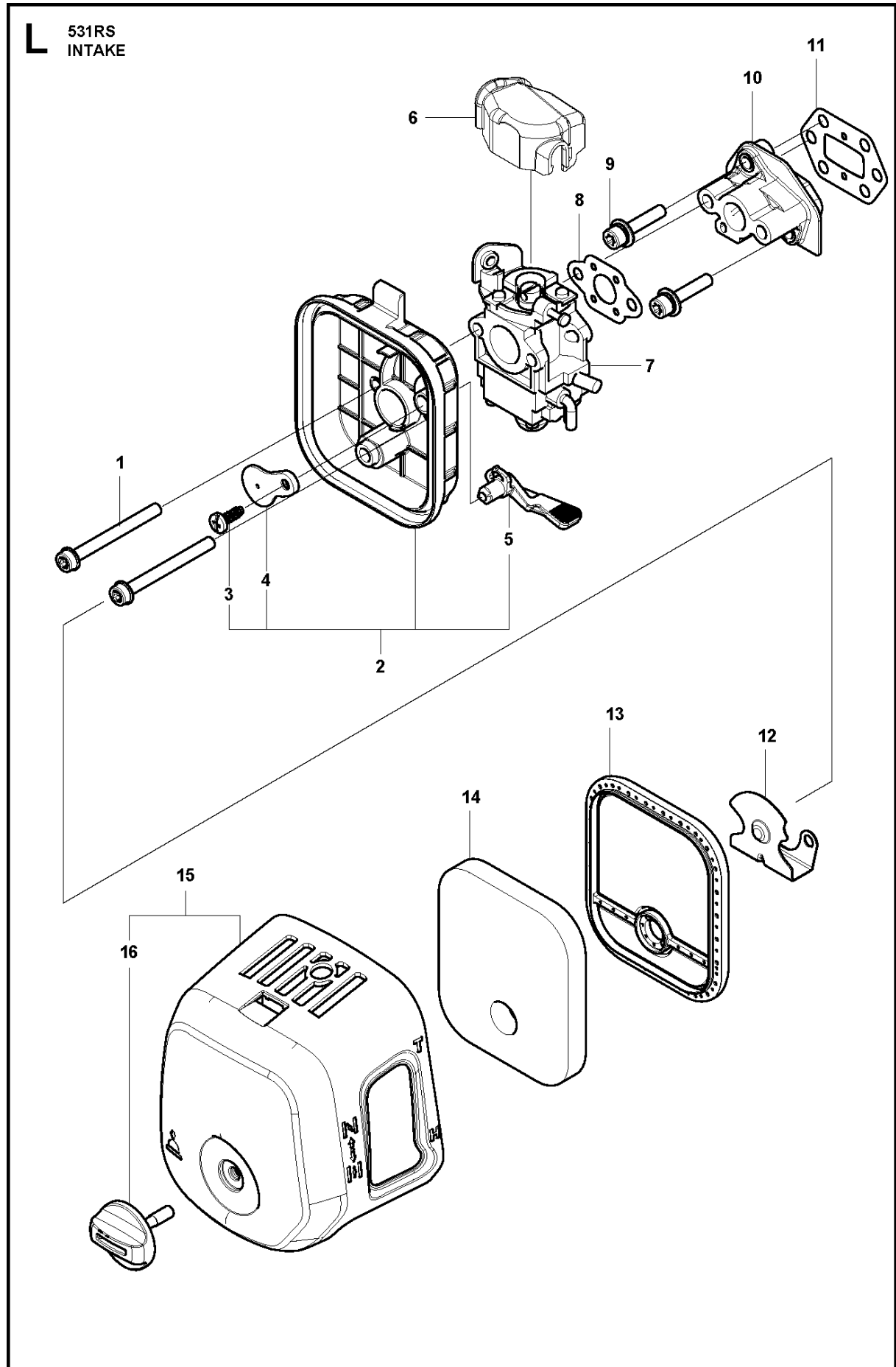
Ref	Part No	Description	Remark	QTY KIT	
1	528 75 54-01	PULLEY		1	
2	501 93 90-01	CLIP		2	1
3	501 93 89-01	SPRING		2	1
4	501 93 91-01	STARTER PAWL		2	1
5	590 57 89-01	STARTER		1	
6	501 93 22-01	SCREW		1	5
7	501 93 17-01	WASHER		1	5
8	501 92 99-01	STARTER ROPE		1	5
9	501 92 98-01	REEL		1	5
10	501 93 52-01	SPRING		1	5
11	537 23 25-01	STARTER HANDLE		1	5
12	590 57 90-01	COVER		1	5
13	590 63 13-01	SCREW		4	
14	591 19 92-01	DECAL		1	



FUEL TANK

531 RS, 2018-01

Ref	Part No	Description	Remark	QTY	KIT
1	592 61 36-02	TANK ASSY	531RS	1	
2	590 84 21-01	CAP ASSY		1	1
3	515 41 84-01	PIPE	531RS	1	1
4	506 70 70-01	CLIP		1	1
5	503 44 32-01	FUEL FILTER		1	1
6	590 78 42-01	GUARD		1	
7	525 75 51-04	SCREW ITXSCFM		4	

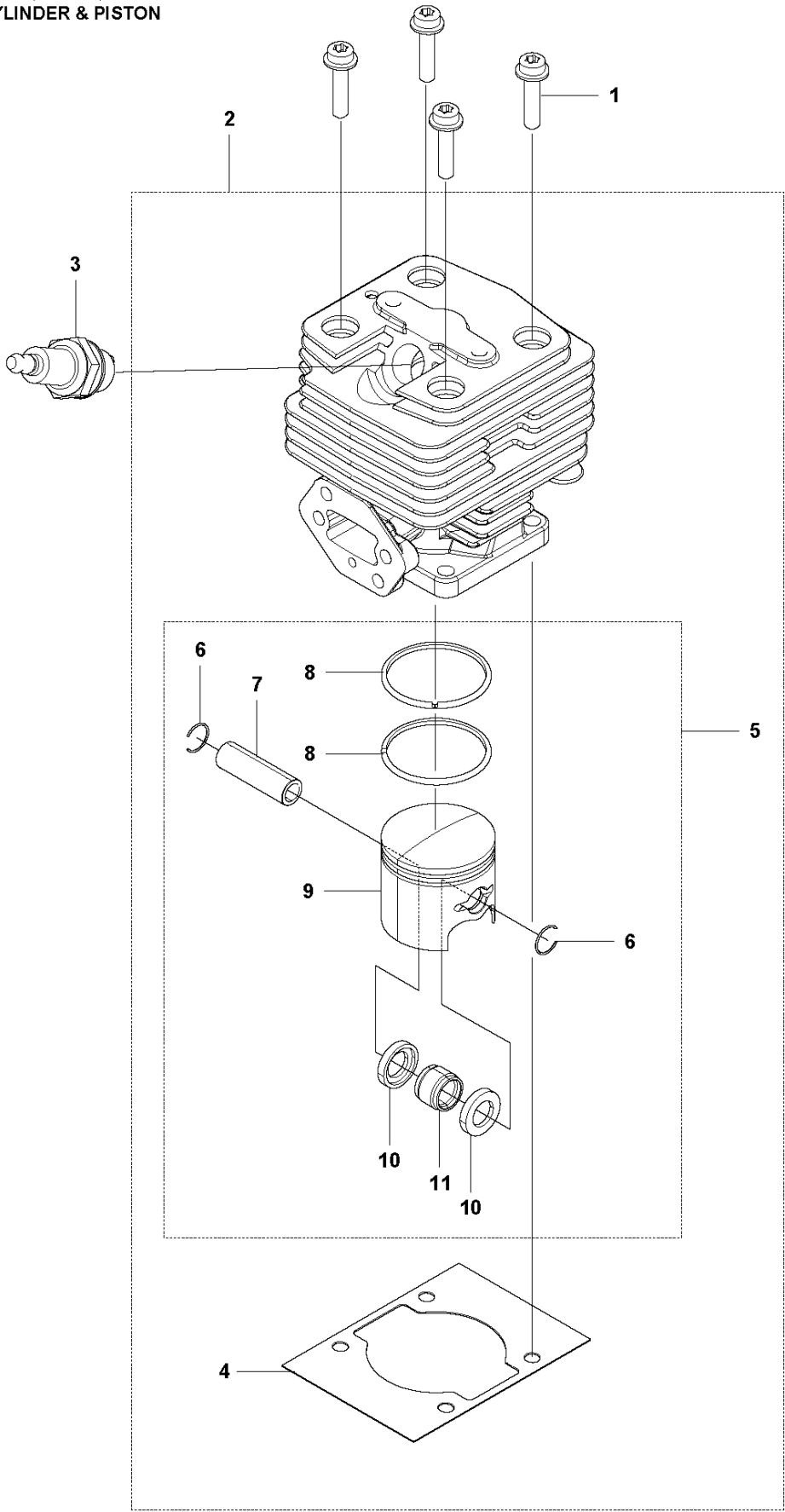


CARBURETOR & AIR FILTER

531 RS, 2018-01

Ref	Part No	Description	Remark	QTY	KIT
1	584 95 63-01	SCREW		2	
2	590 57 94-01	CLEANER		1	
3	506 61 40-01	SCREW		1	2
4	505 30 89-01	PLATE.CHOKE		1	2
5	590 58 10-01	CHOKE LEVER		1	2
6	506 74 42-01	COVER		1	
7	587 10 67-01	CARBURETTOR		1	
8	505 30 50-01	GASKET		1	
9	521 51 69-01	BOLT		2	
10	526 52 05-01	INSULATOR		1	
11	505 30 49-01	GASKET.INSU		1	
12	587 08 80-01	PLATE		1	
13	590 91 06-01	FILTER		1	
14	587 28 76-02	AIR FILTER		1	
15	590 93 23-01	AIR FILTER ASSY		1	
16	576 99 24-05	KNOB		1	15

M 531RS, 541RS, 541RST
CYLINDER & PISTON

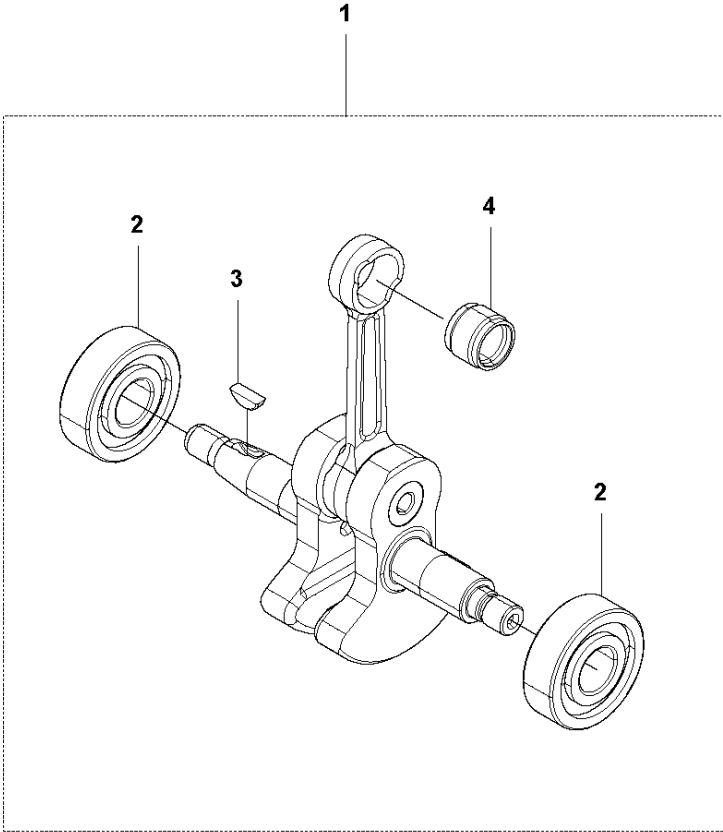


CYLINDER PISTON

531 RS, 2018-01

Ref	Part No	Description	Remark	QTY	KIT
1	506 74 52-01	BOLT		4	
2	593 30 49-01	CYLINDER KIT	531RS	1	
3	515 49 74-01	SPARKPLUGBPMR7A		1	
4	510 06 43-01	GASKET		1	
5	593 30 52-01	PISTON ASSY	531RS	1	2
6	516 28 30-01	RING		2	2,5
7	510 91 66-01	PISTON PIN	531RS	1	2,5
8	510 91 77-01	PISTON RING	531RS	2	2,5
9	515 37 51-01	PISTON	531RS	1	2,5
10	513 75 24-01	WASHER		2	2,5
11	505 29 73-01	BEARING		1	2,5

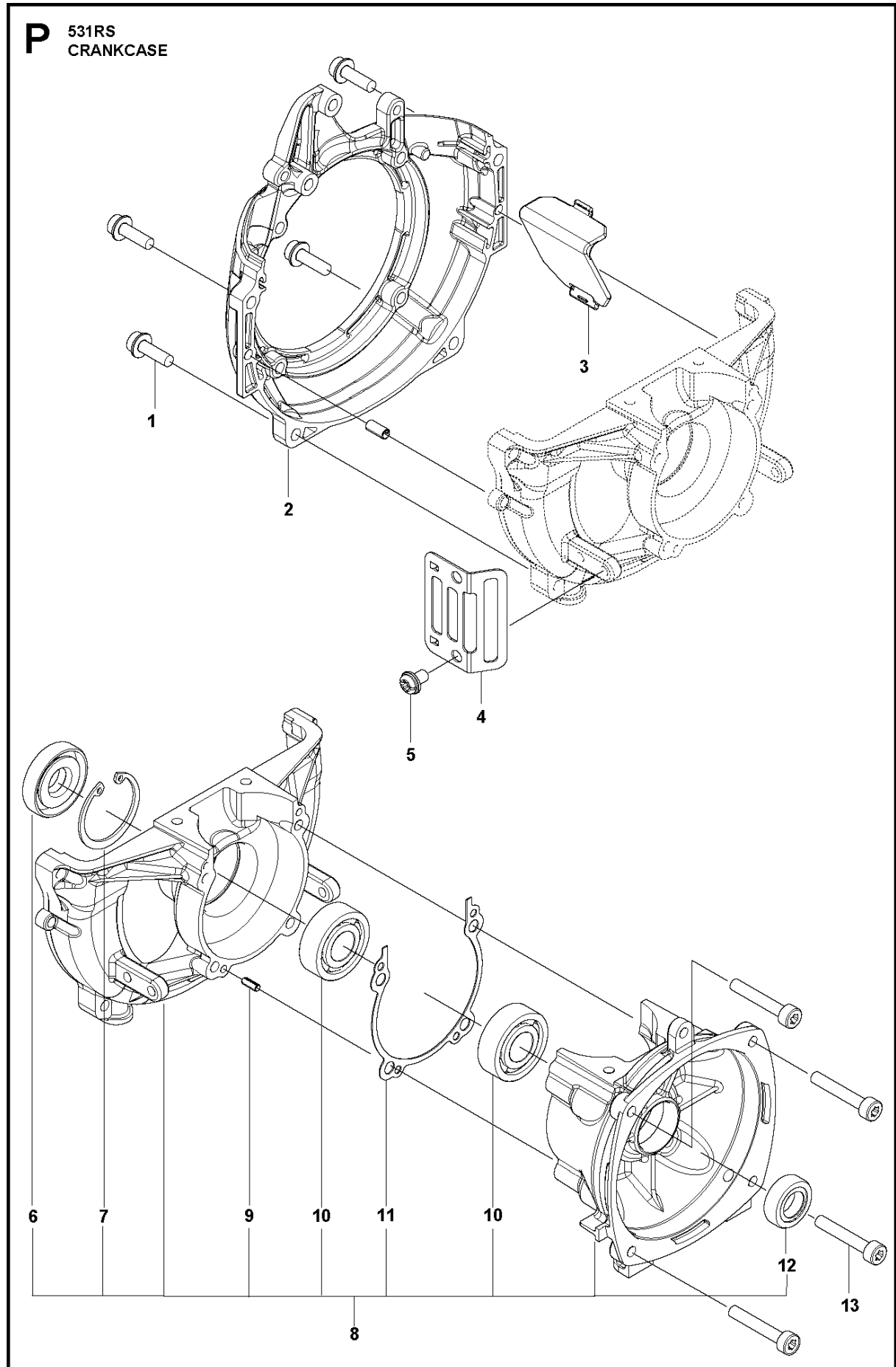
N 531RS, 541RS, 541RST
CRANKSHAFT



CRANKSHAFT

531 RS, 2018-01

Ref	Part No	Description	Remark	QTY	KIT
1	593 30 53-01	CRANKSHAFT ASSY		1	
2	505 29 65-01	BEARING		2	1
3	506 68 94-01	KEY		1	1
4	505 29 73-01	BEARING		1	1

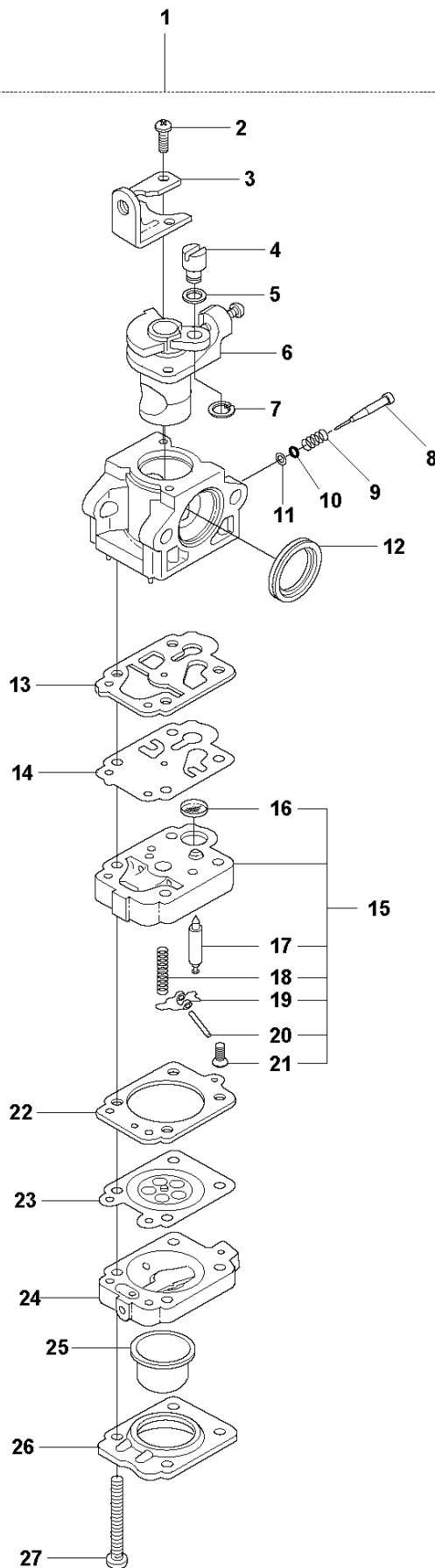


CRANKCASE

531 RS, 2018-01

Ref	Part No	Description	Remark	QTY KIT	
1	515 39 13-01	BOLT		4	
2	574 72 12-01	COVER		1	
3	505 30 04-01	PLATE		1	
4	505 29 62-01	GUARD		1	
5	544 25 68-01	SCREW		1	
6	505 29 67-01	SEAL		1	8
7	504 12 10-01	SNAP RING		1	8
8	593 30 54-01	CRANKCASE ASSY		1	
9	505 29 61-01	PIN		3	8
10	505 29 65-01	BEARING		2	8
11	505 29 64-01	GASKET		1	8
12	504 12 15-01	SEALING		1	8
13	586 49 62-01	BOLT		4	

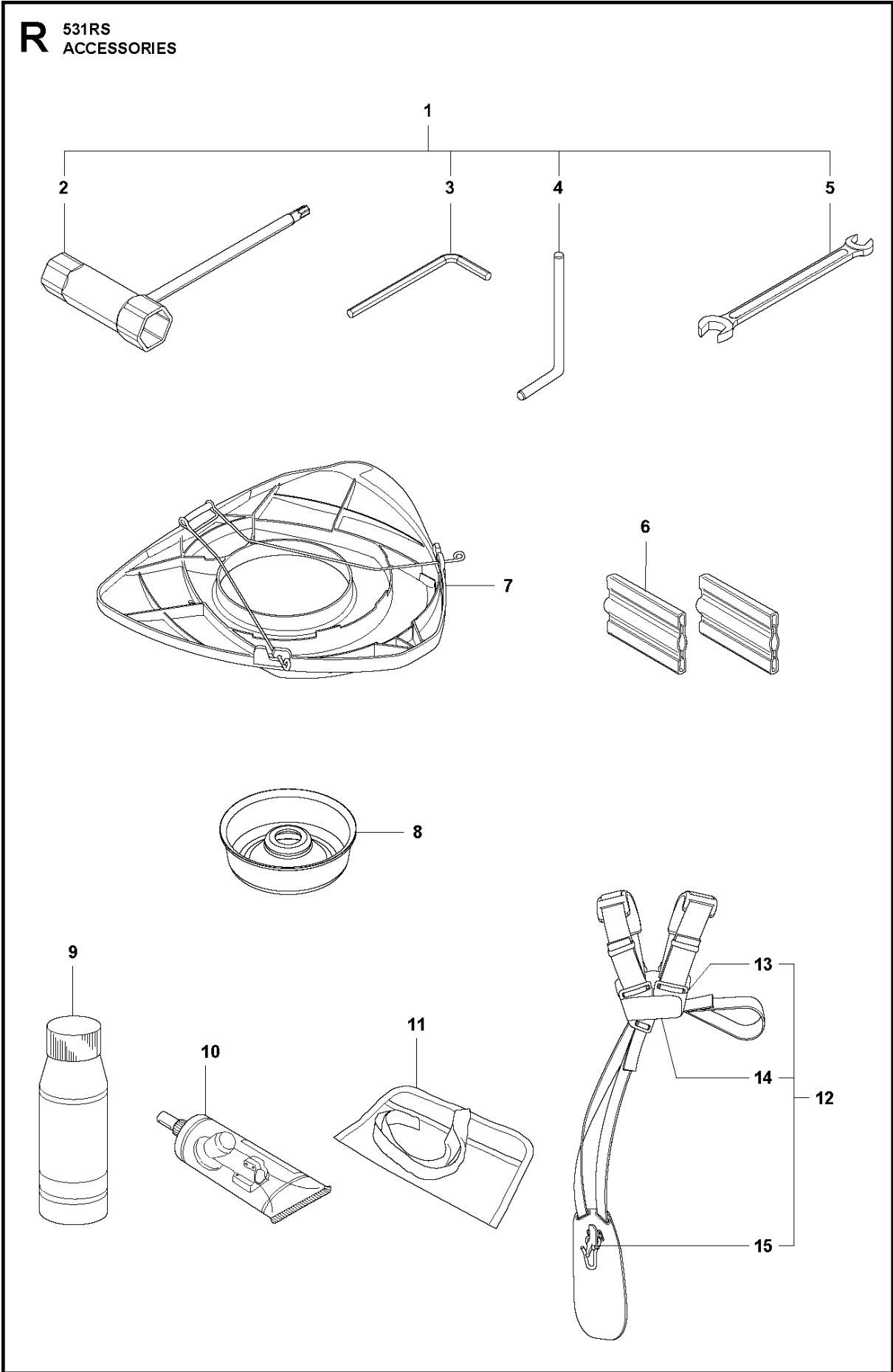
Q 531RS
CARBURETTOR



CARBURETOR

531 RS, 2018-01

Ref	Part No	Description	Remark	QTY	KIT
1	587 10 67-01	CARBURETTOR		1	
2	505 30 79-01	SCREW		2	1
3	506 74 60-01	BRACKET		1	1
4	516 59 77-01	SWIVEL		1	1
5	506 74 61-01	WASHER		1	1
6	587 64 29-01	VALVE		1	1
7	506 73 86-01	RING		1	1
8	512 37 34-01	NEEDLE		1	1
9	513 30 16-01	SPRING		1	1
10	513 43 77-01	WASHER		1	1
11	513 43 78-01	O-RING		1	1
12	505 30 84-01	RING		1	1
13	506 74 51-01	GASKET		1	1
14	506 68 98-01	DIAPHRAGM		1	1
15	513 41 08-01	BODY		1	1
16	520 95 70-01	SCREEN		1	1,15
17	521 08 54-01	VALVE.INLET		1	1,15
18	513 41 07-01	SPRING		1	1,15
19	520 97 72-01	LEVER		1	1,15
20	520 97 74-01	PIN		1	1,15
21	505 30 61-01	SCREW		1	1,15
22	506 74 08-01	GASKET		1	1
23	505 30 68-01	DIAPHRAGM		1	1
24	506 74 09-01	BODY		1	1
25	505 30 67-01	PUMP		1	1
26	506 74 10-01	COVER		1	1
27	516 54 40-01	SCREW		4	1

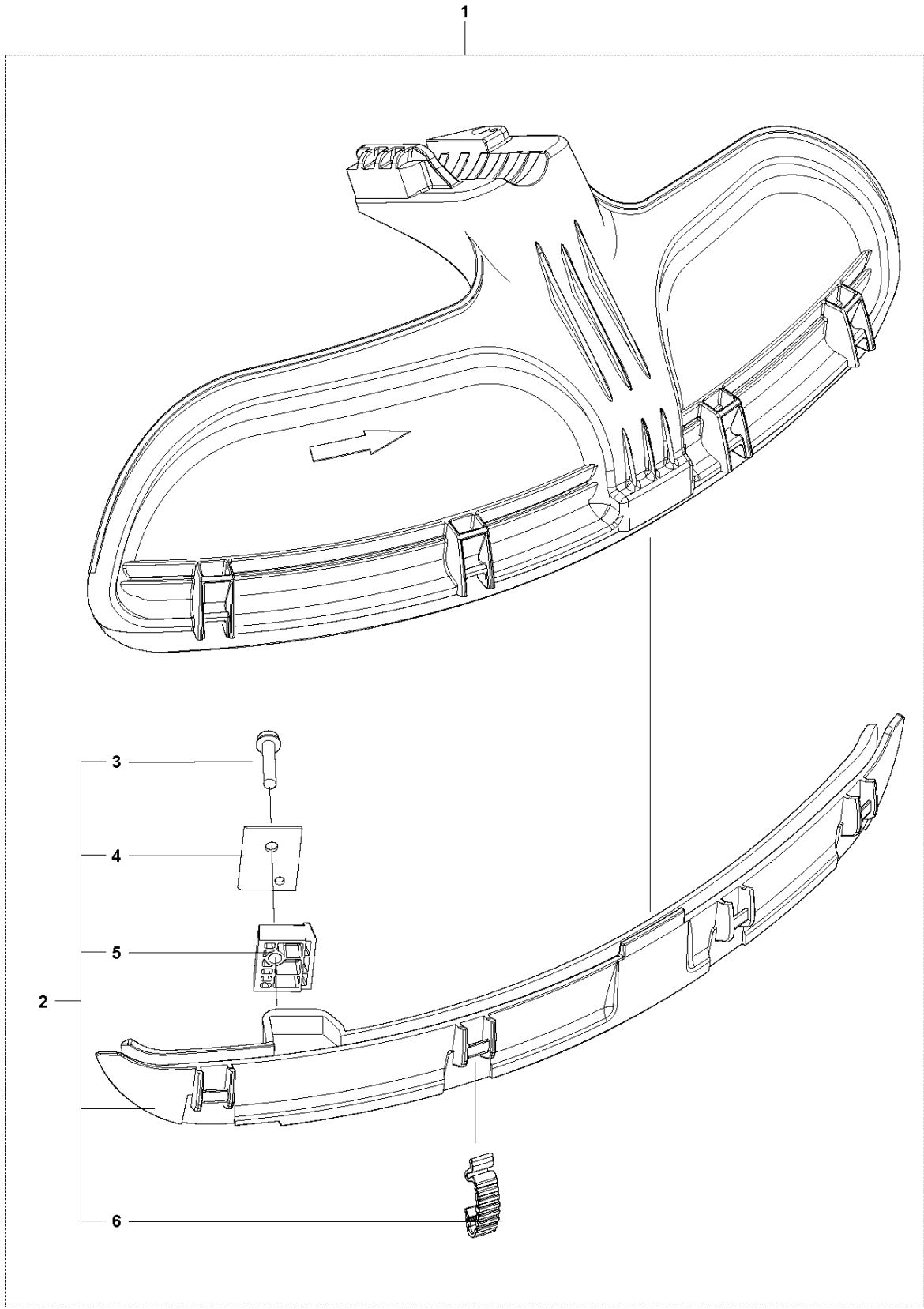


ACCESSORIES

531 RS, 2018-01

Ref	Part No	Description	Remark	QTY	KIT
1	529 26 51-01	TOOL SET		1	
2	529 26 55-01	WRENCH		1	1
3	505 31 19-01	WRENCH		1	1
4	505 31 20-01	TOOL		1	1
5	506 61 50-01	SPANNER		1	1
6	537 12 99-04	BAR GUARD	For Asia	2	
7	544 35 91-01	TRANSPORT GUARD	For Russia	1	
8	528 81 81-01	SUPPORT CUP		1	
9	531 00 92-48	FILTER OIL		1	
10	503 97 64-01	GREASE		1	
11	501 19 22-01	TOOL		1	
12	537 27 57-02	HARNES	531RS	1	
13	537 28 83-01	FRONT PIECE		1	12
14	537 28 84-01	FRONT PIECE		1	12
15	502 02 28-05	WELT HOOK		1	12

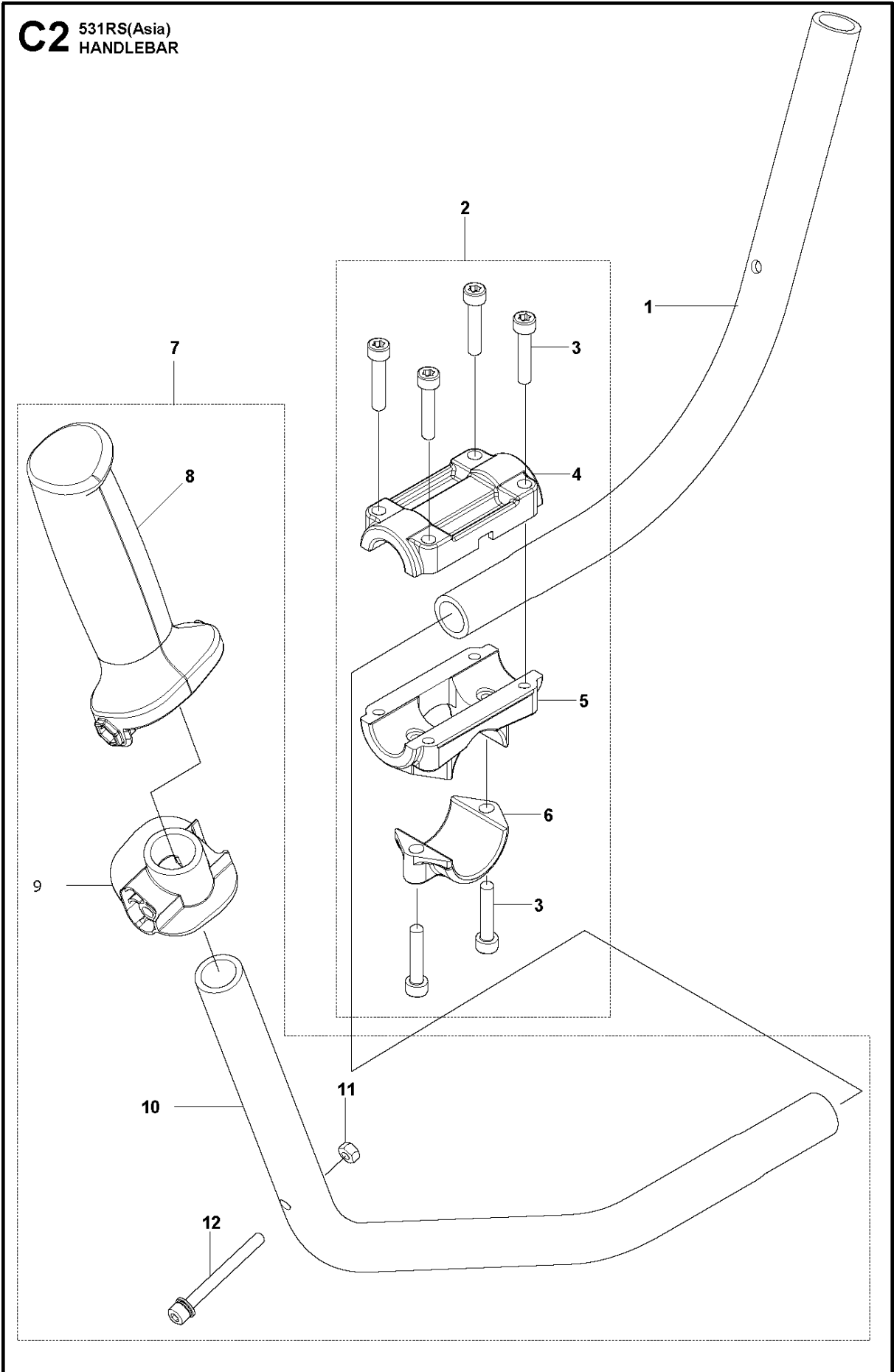
S1 531RS(All except Asia)
ACCESSORIES



ACCESSORIES

531 RS, 2018-01

Ref	Part No	Description	Remark	QTY	KIT
1	537 33 16-03	SPLASH GUARD		1	
2	537 39 63-03	SPLASH GUARD		1	1
3	503 21 68-25	SCREW IHSCFT		1	1,2
4	503 79 88-01	BLADE		1	1,2
5	544 12 45-01	RETAINER		1	1,2
6	537 38 72-01	SNAP LOCKING		4	1,2



Ref	Part No	Description	Remark	QTY	KIT
1	590 58 03-01	HANDLE	Asia	1	
2	592 74 63-02	HANDLE ASSY		1	
3	512 84 57-01	BOLT		6	2
4	505 29 49-01	CAP		1	2
5	505 29 47-01	BRACKET		1	2
6	505 29 48-01	CAP		1	2
7	590 58 04-02	HANDLE ASSY	Asia	1	
8	537 17 28-02	HANDLE		1	7
9	537 17 29-01	COVER		1	7
10	590 58 07-01	HANDLE	Asia	1	7
11	731 23 14-01	HEXAGON NUT		1	7
12	510 90 94-01	BOLT		1	7