

T435

Spare parts

Ersatzteile

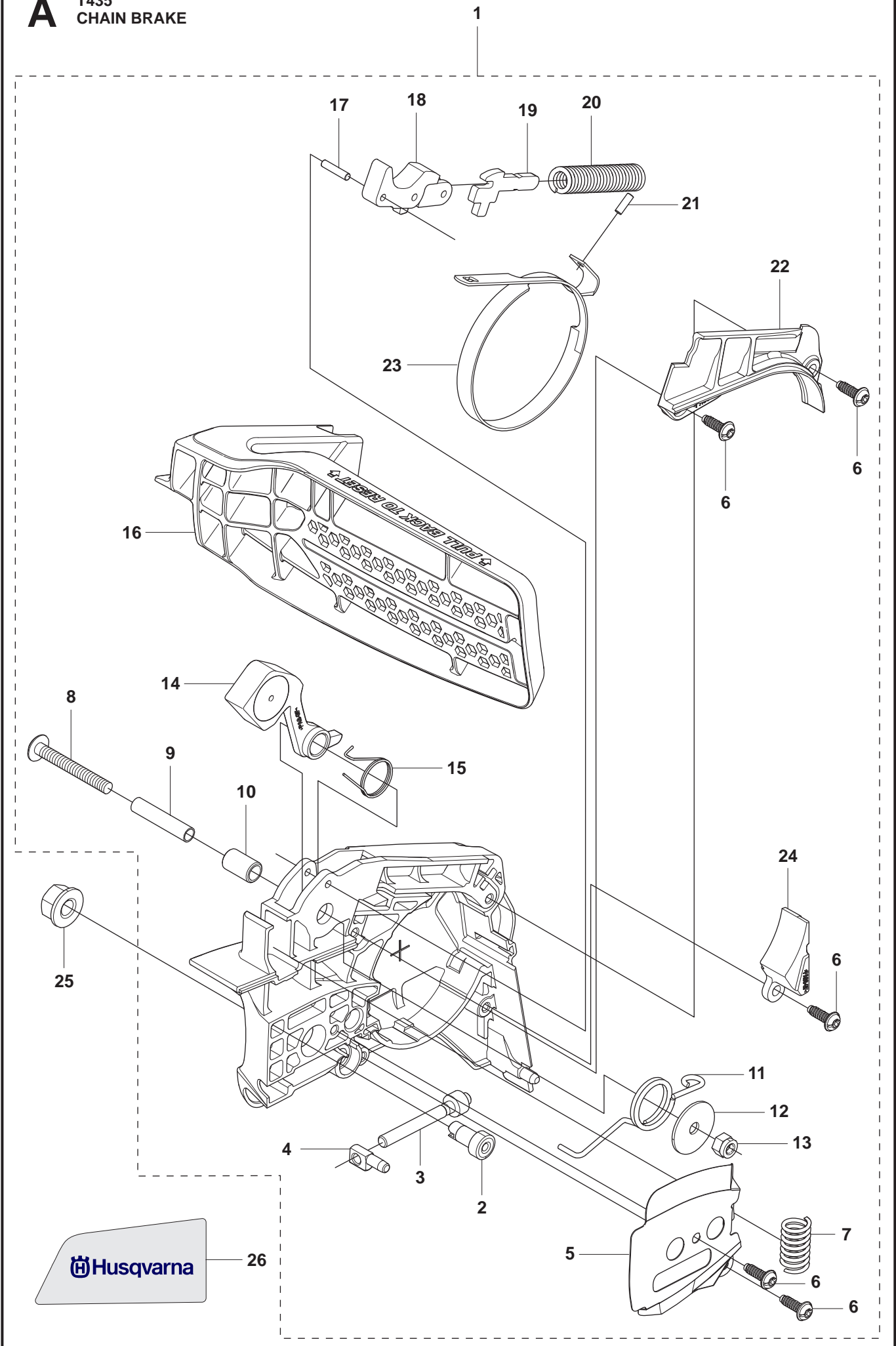
Pièces détachées

Reserve onderdelen

Repuestos

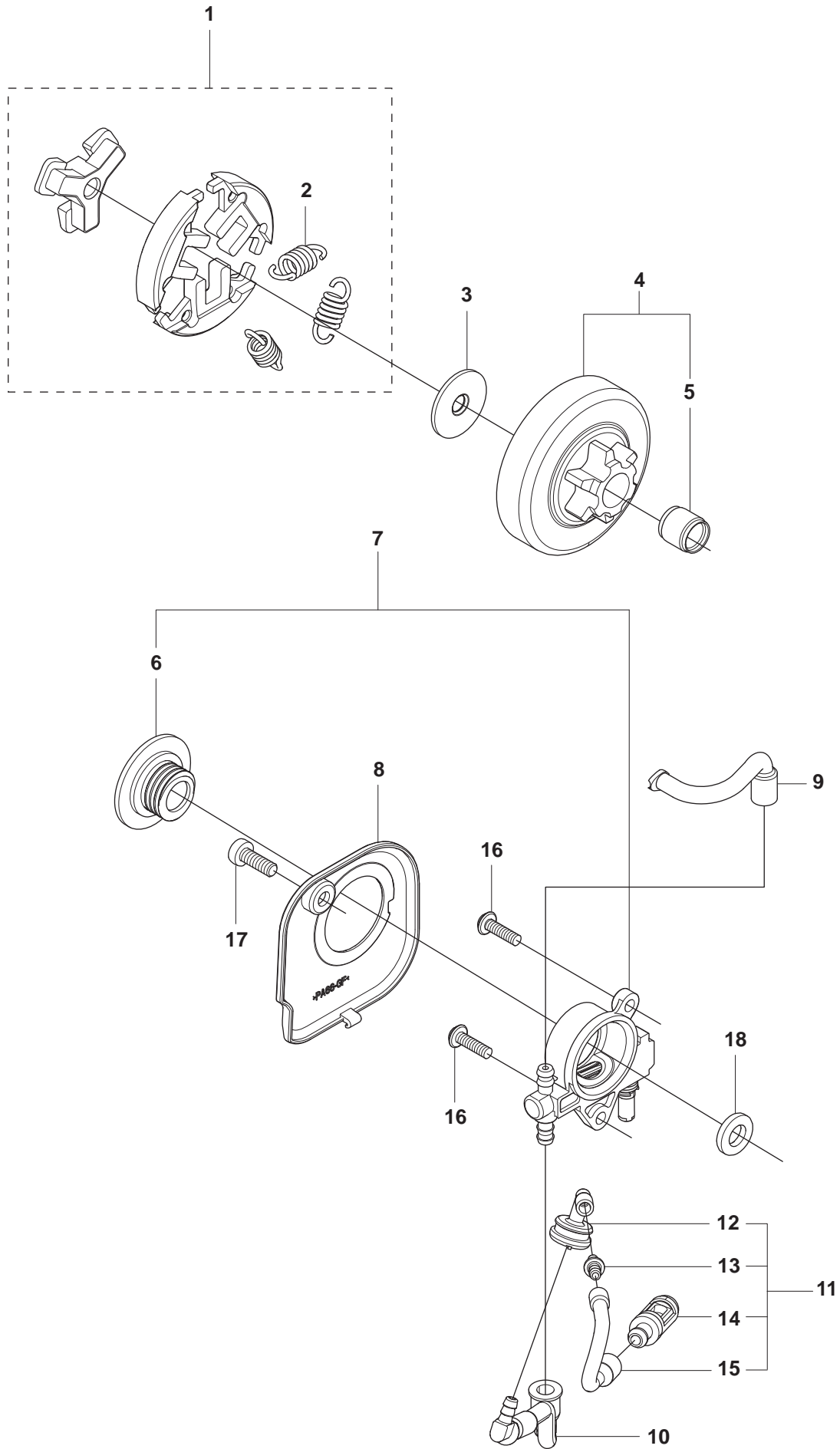
Reservdelar

A T435
CHAIN BRAKE



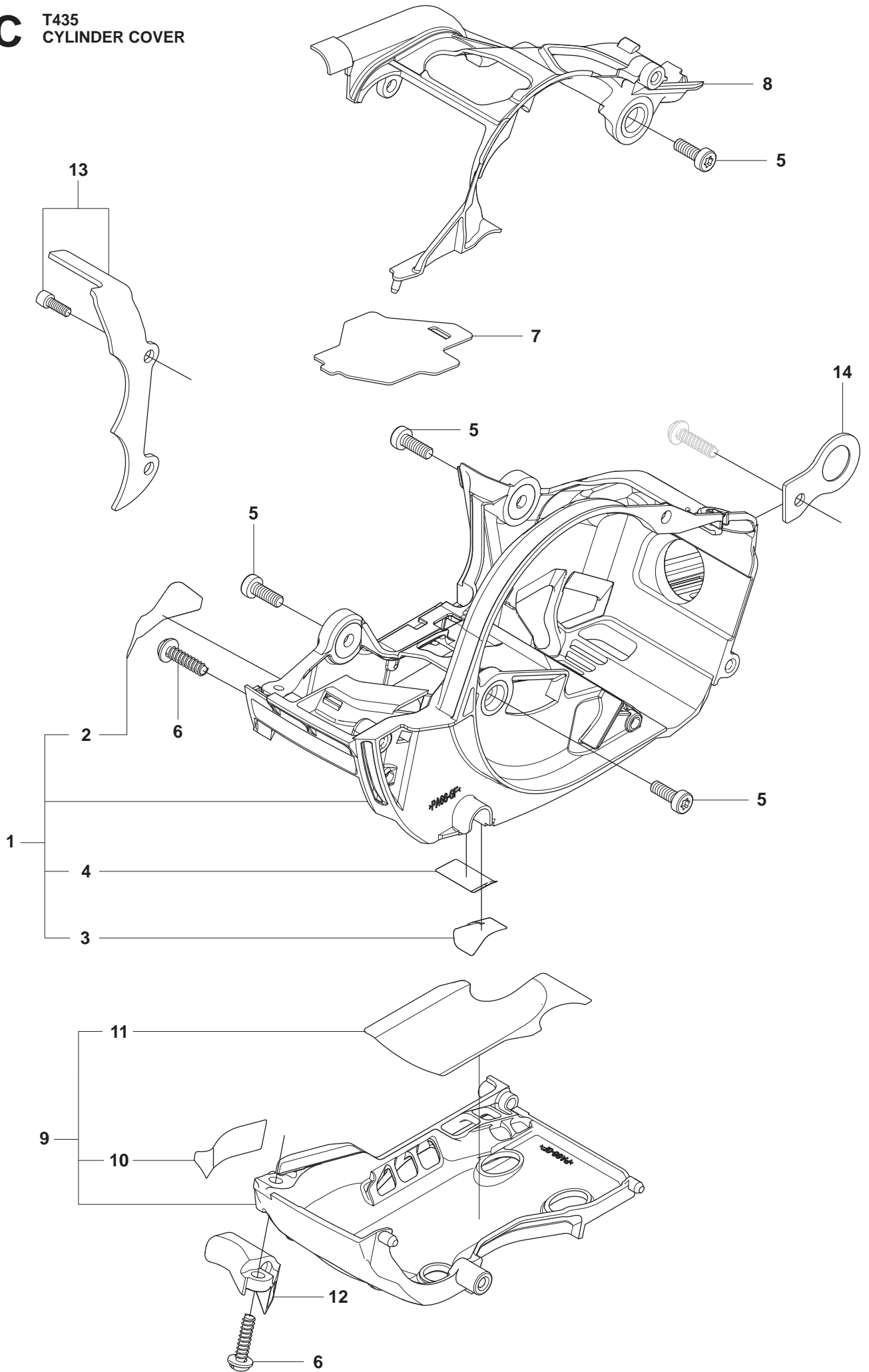
Position	Part nr.	Quantity	Description	Kit
1	522 01 38-01	1	Brake assy	
2	516 85 38-01	1	Gear	1
3	516 95 22-01	1	Screw	1
4	516 91 81-01	1	Tension knob	1
5	522 64 33-01	1	Plate	1
6	516 82 72-01	5	Screw	1
7	522 64 32-01	1	Spring	1
8	516 96 75-01	1	Bolt	1
9	516 96 76-01	1	Spacer	1
10	516 96 78-01	1	Spacer	1
11	516 96 74-01	1	Spring	1
12	521 02 54-01	1	Washer	1
13	520 96 86-01	1	Nut	1
14	527 75 22-01	1	weight	1
15	516 98 84-01	1	Spring	1
16	522 01 57-01	1	Hand guard	1
17	516 97 67-01	1	Pin	1
18	516 97 64-01	1	Lever	1
19	516 82 56-01	1	Arm	1
20	516 82 66-01	1	Spring	1
21	521 07 54-01	1	Pin	1
22	522 01 54-01	1	Brake cover	1
23	521 80 11-01	1	Brake band	1
24	523 08 06-01	1	Guide	1
25	503 22 00-01	1	Nut	
26	522 63 52-01	1	Decal, clutch cover	

B T435
CLUTCH & OIL PUMP



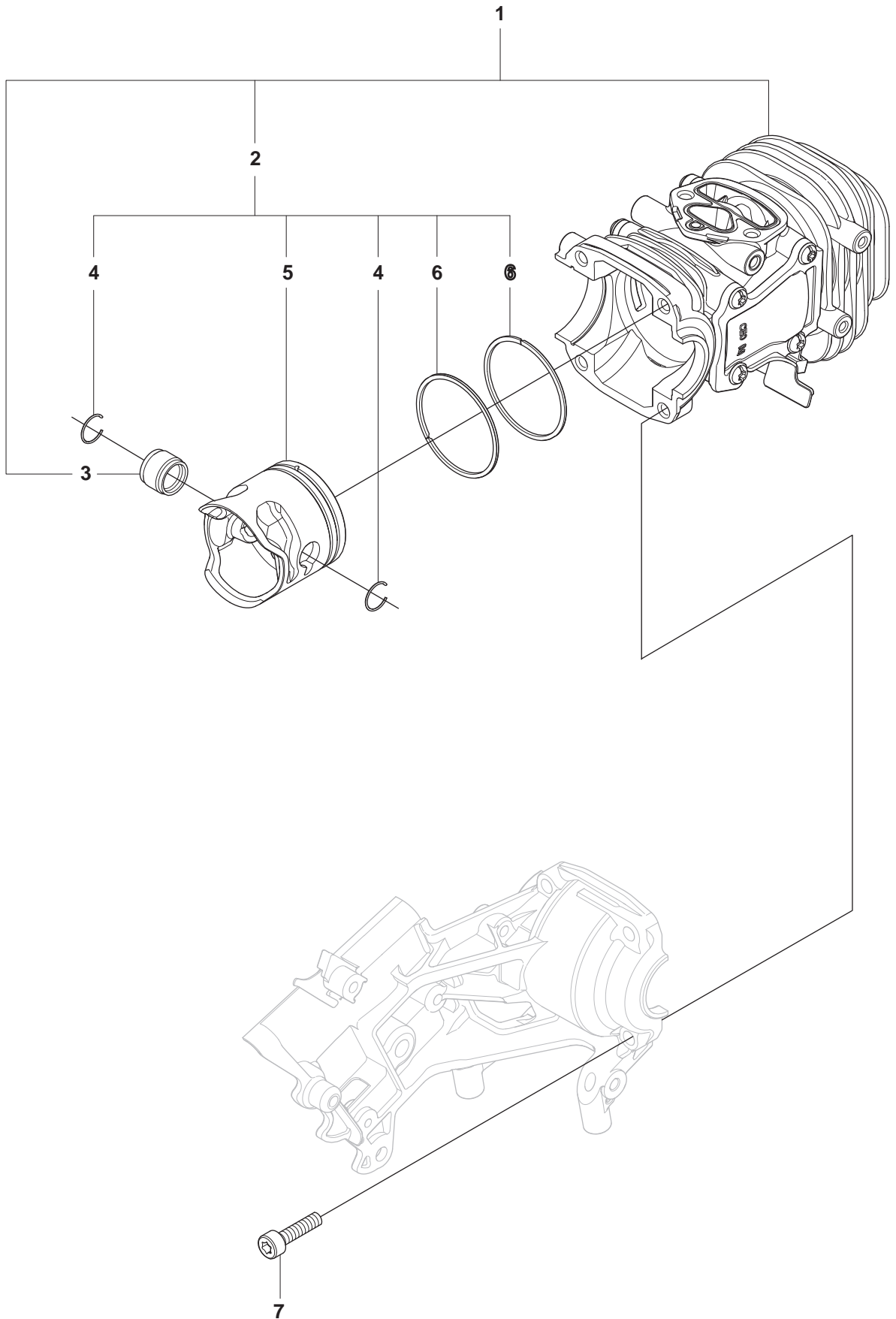
Position	Part nr.	Quantity	Description	Kit
1	521 55 74-01	1	Clutch assy	
2	521 55 75-01	3	Clutch spring	1
3	521 77 94-01	1	Plate	
4	523 08 26-01	1	Clutch drum 3/8 6T	
5	520 96 73-01	1	Bearing	4
6	505 05 31-01	1	Worm wheel	7
7	505 05 29-01	1	Oil pump assy	
8	522 00 58-01	1	Cover oil pump	
9	521 79 26-01	1	Oil hose	
10	522 64 36-01	1	Oil hose assy	
11	527 67 23-01	1	Oil filter assy	
12	527 67 21-01	1	Oil pipe	11
13	516 95 03-01	1	Joint	11
14	521 58 00-01	1	Filter	11
15	529 25 17-01	1	Oil hose	11
16	516 82 94-01	2	Screw	
17	521 51 62-01	1	Screw	
18	522 63 89-01	1	Washer	

C T435
CYLINDER COVER



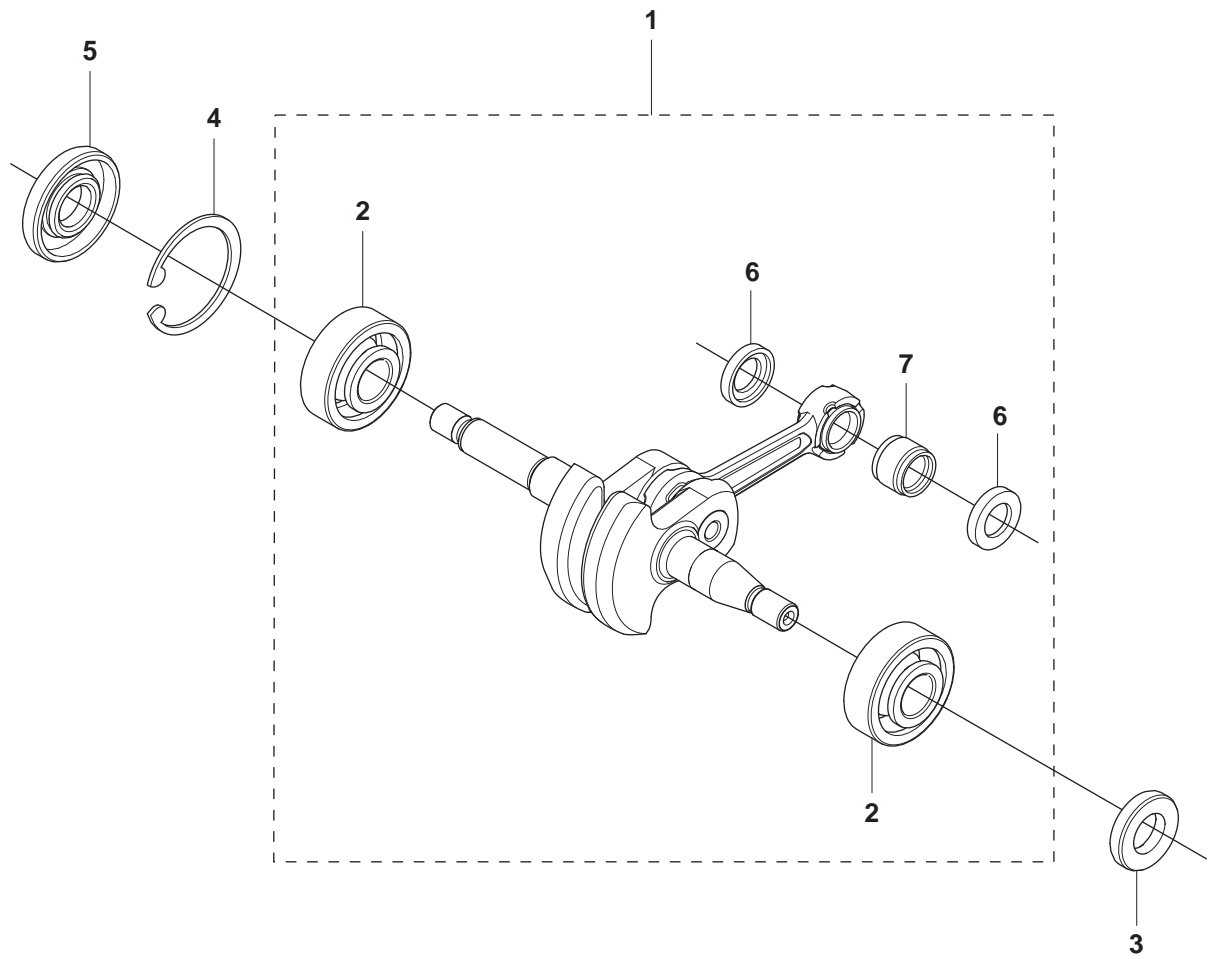
Position	Part nr.	Quantity	Description	Kit
1	522 00 11-01	1	Case Comp	
2	527 66 79-01	1	Tape	1
3	527 68 28-01	1	Tape	1
4	527 68 40-01	1	Tape	1
5	521 51 62-01	4	Bolt	
6	521 51 80-01	2	Screw	
7	522 64 12-01	1	Gasket	
8	522 00 12-01	1	Cover, top	
9	577 10 49-01	1	Case Comp (cover bottom)	
10	527 67 72-01	1	Tape	6
11	577 10 37-01	1	Tape	6
12	522 01 21-01	1	Chain catcher	
13	522 63 47-01	1	Spike kit	
14	522 00 18-01	1	Rope eyelet	

D T435
CYLINDER & PISTON



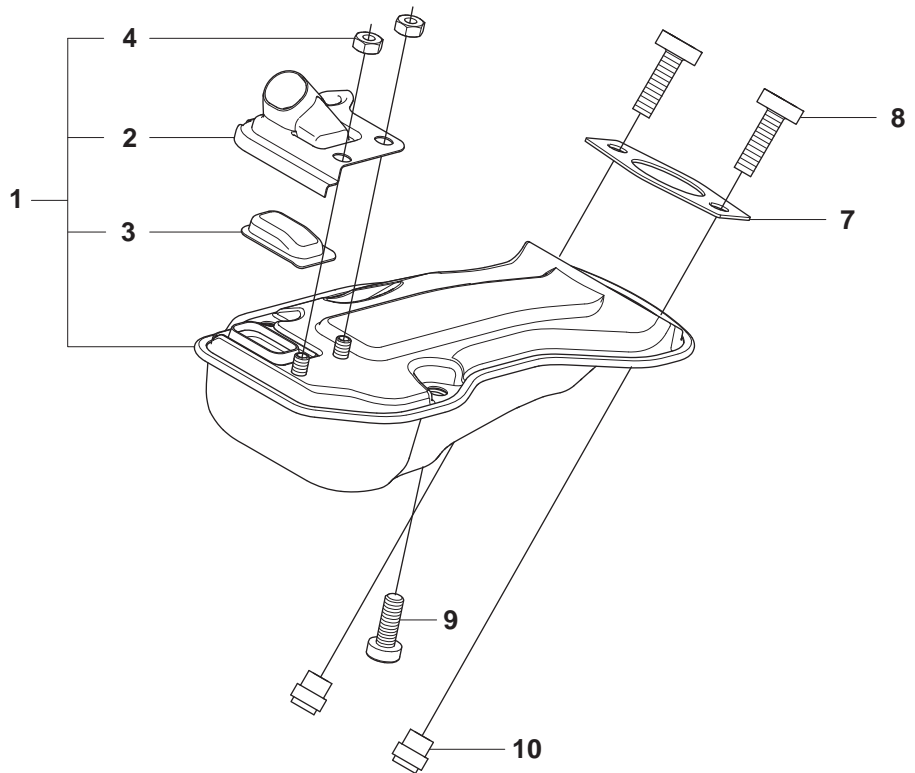
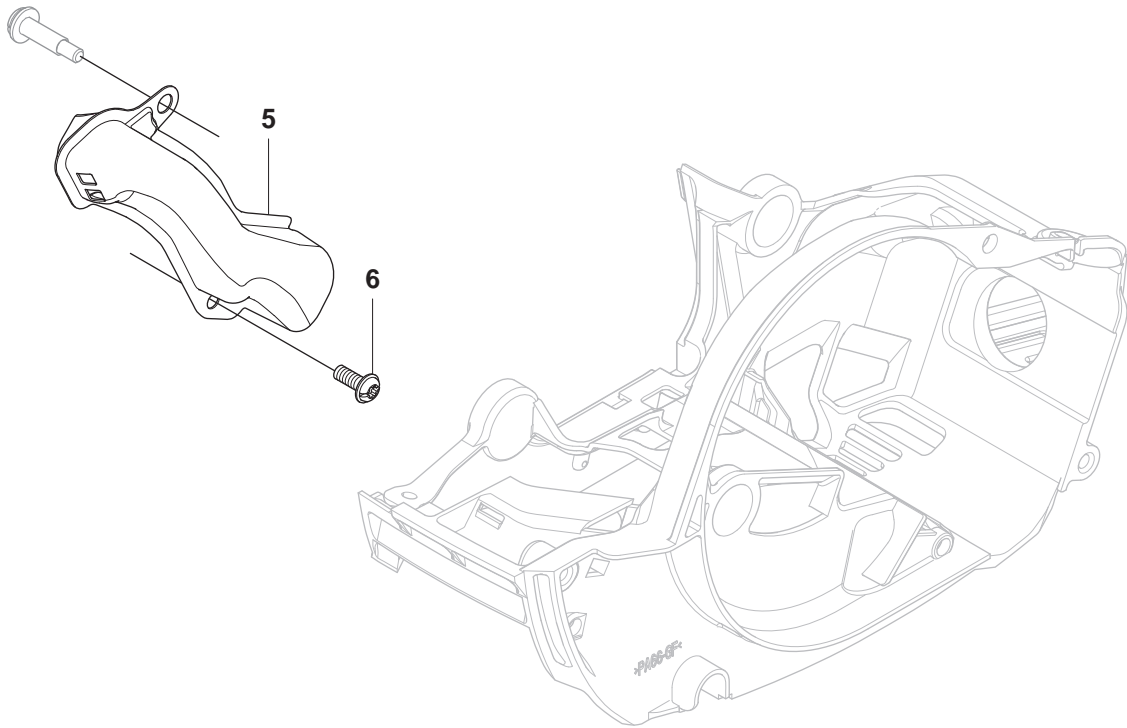
Position	Part nr.	Quantity	Description	Kit
1	523 08 43-01	1	Cylinder, compl.	
2	523 08 42-01	1	Piston, compl.	1
3	505 29 73-01	1	Needle bearing	1
4	516 28 30-01	2	Ring	2,1
5	522 64 25-01	1	Piston	2,1
6	522 64 26-01	2	Piston ring	2,1
7	521 34 54-01	4	Bolt	

E T435
CRANK SHAFT



Position	Part nr.	Quantity	Description	Kit
1	523 34 03-01	1	Crankshaft comp.	
2	522 63 90-01	2	Crankshaft bearing	1
3	522 63 91-01	1	Oil seal	
4	516 12 58-01	1	Ring	
5	522 63 92-01	1	Seal	
6	516 96 57-01	2	Washer	1
7	505 29 73-01	1	Needle bearing	1

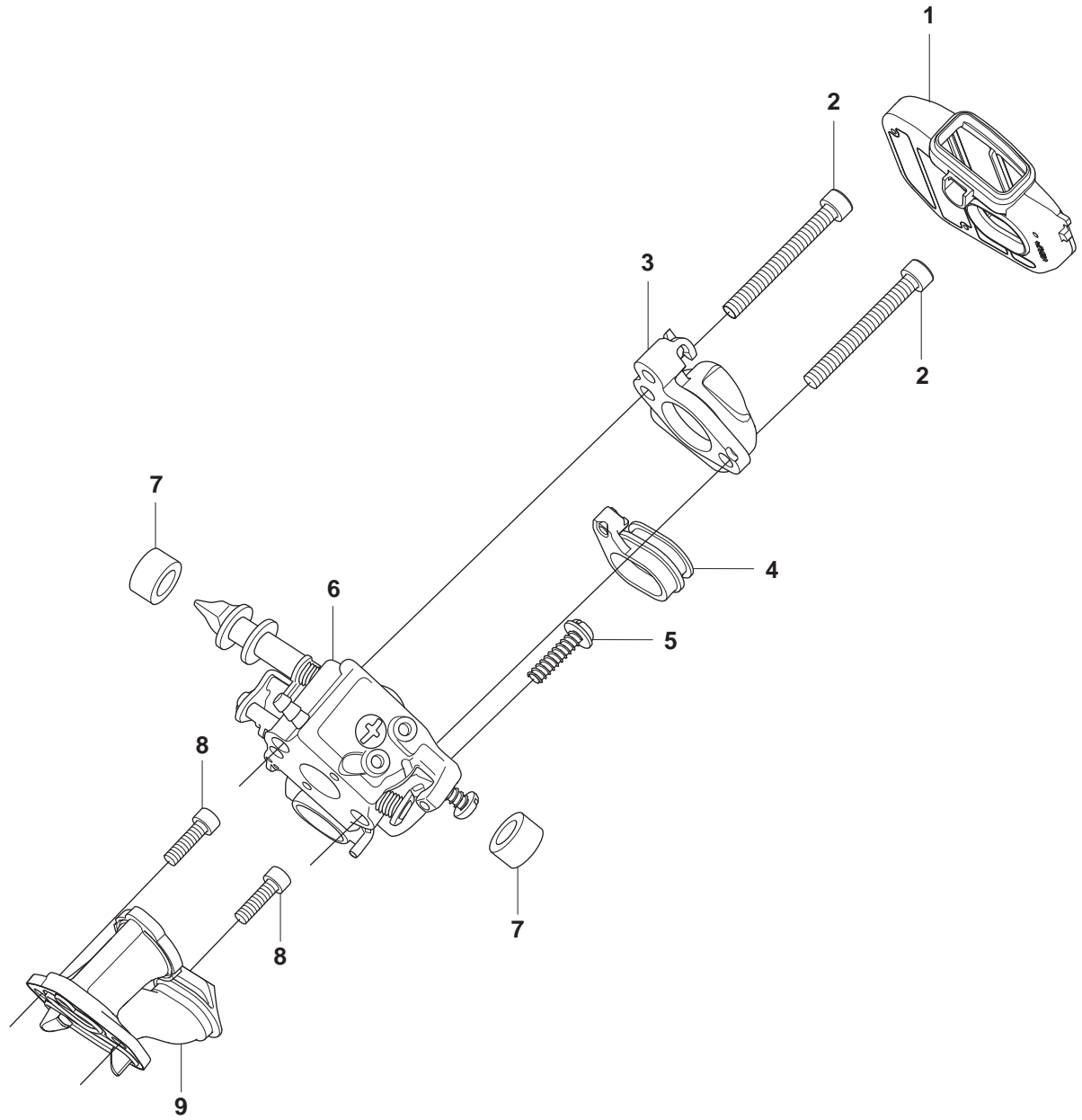
F T435
MUFFLER



Position	Part nr.	Quantity	Description	Kit
1	577 74 20-01	1	Muffler	
2	574 38 14-01	1	Muffler guide	1
3	527 68 26-01	1	Arrester	1
4	510 48 58-01	2	Nut	1
5	522 00 45-01	1	Exhaust pipe	
6	516 80 88-01	1	Screw	
7	521 79 20-01	1	Gasket	
8	522 63 88-01	2	Bolt	
9	521 51 62-01	2	Screw	
10	516 96 09-01	2	Nut	

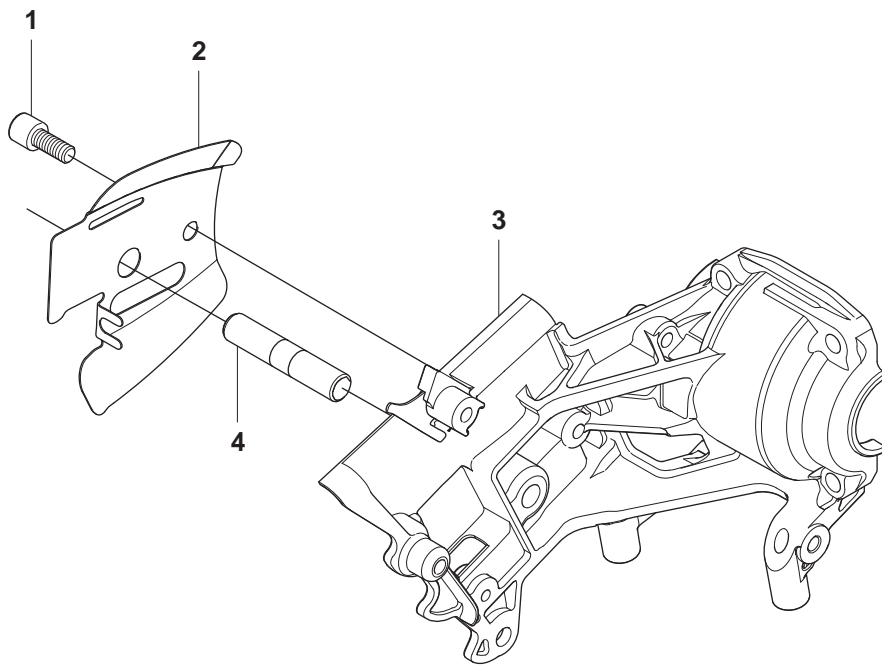


T435
CARBURETOR & AIR FILTER



Position	Part nr.	Quantity	Description	Kit
1	527 67 47-01	1	Airfilter	
2	522 63 87-01	2	Bolt	
3	527 67 45-01	1	manifold	
4	527 67 51-01	1	Seal	
5	521 51 81-01	1	Screw	
6	522 00 76-01	1	Carburetor	
7	516 82 86-01	2	Seal	
8	522 63 85-01	2	Bolt	
9	573 95 44-01	1	Inlet	

H T435
CRANKCASE



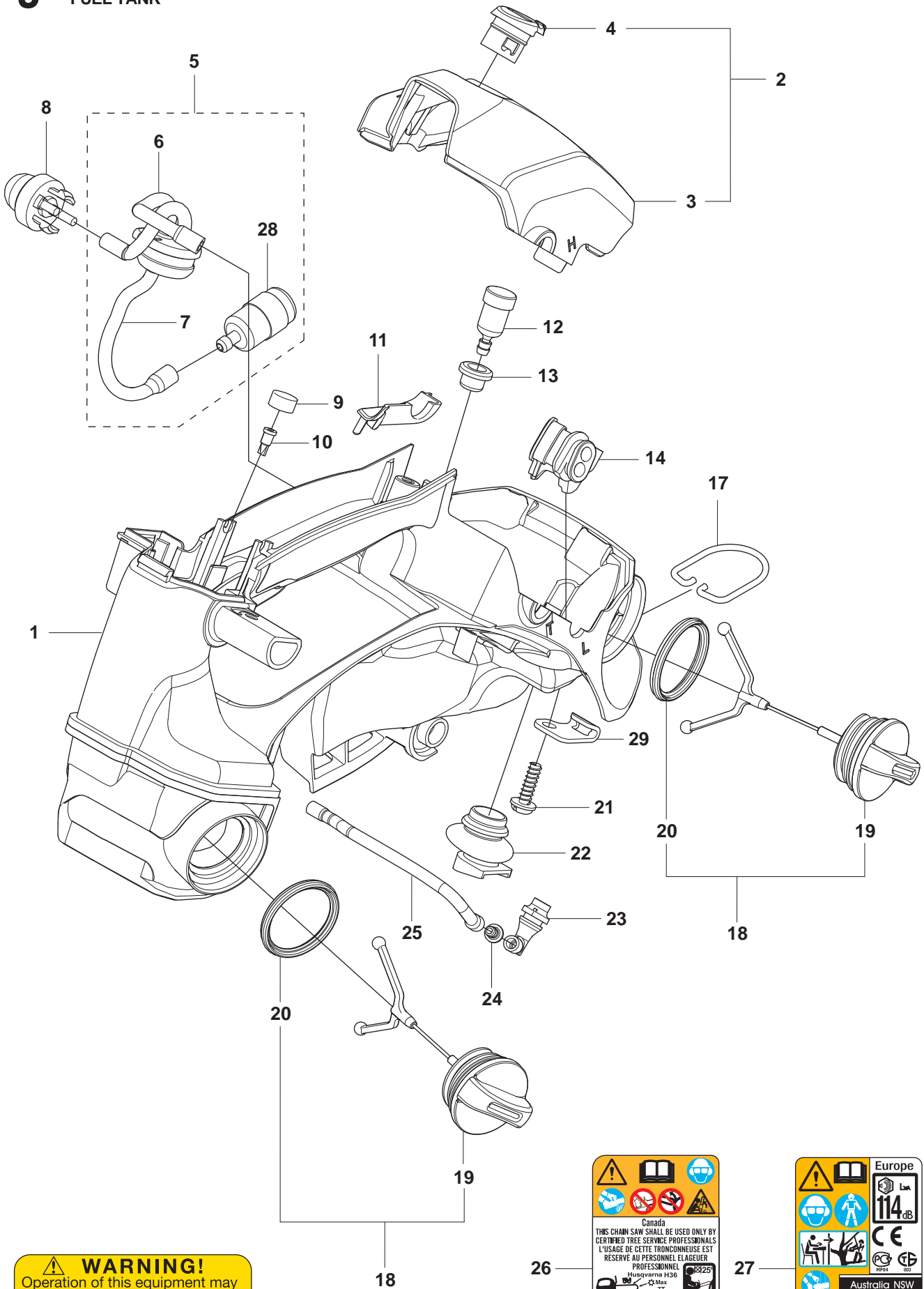
Page H

T435

CRANKCASE

Position	Part nr.	Quantity	Description	Kit
1	521 79 99-01	1	Screw	
2	522 01 20-01	1	Oil plate	
3	527 66 56-01	1	Crankcase	
4	516 73 80-01	1	Bar stud	

J T435 FUEL TANK



WARNING!
 Operation of this equipment may create sparks that can start fires around dry vegetation. A spark arrestor may be required. The operator should contact local fire agencies for laws or regulations relating to fire prevention requirements.

Canada
 THIS CHAIN SAW SHALL BE USED ONLY BY CERTIFIED TREE SERVICE PROFESSIONALS
 L'USAGE DE CETTE TRONÇONNEUSE EST RÉSERVÉ AU PERSONNEL ELABEURER PROFESSIONNEL
 Husqvarna H36
 282.30 282.3 CHAIN SAW CLASS 1B / TRONÇONNEUSE CATEGORIE 1B
 LISTED IN ACCORDANCE WITH ANSI B175.1-2000 USA
 WARNING Follow all safety precautions in the Operator's Manual(s). Failure to follow instructions could result in serious personal injury. There may be other replacement components for achieving kickback reduction.

Europe
 114 dB
 CE
 Australia NSW
 EN 1485
 83
 NOISE dBA
 THIS PRODUCT COMPLIES WITH Australian Standard AS 2728, 2:2004

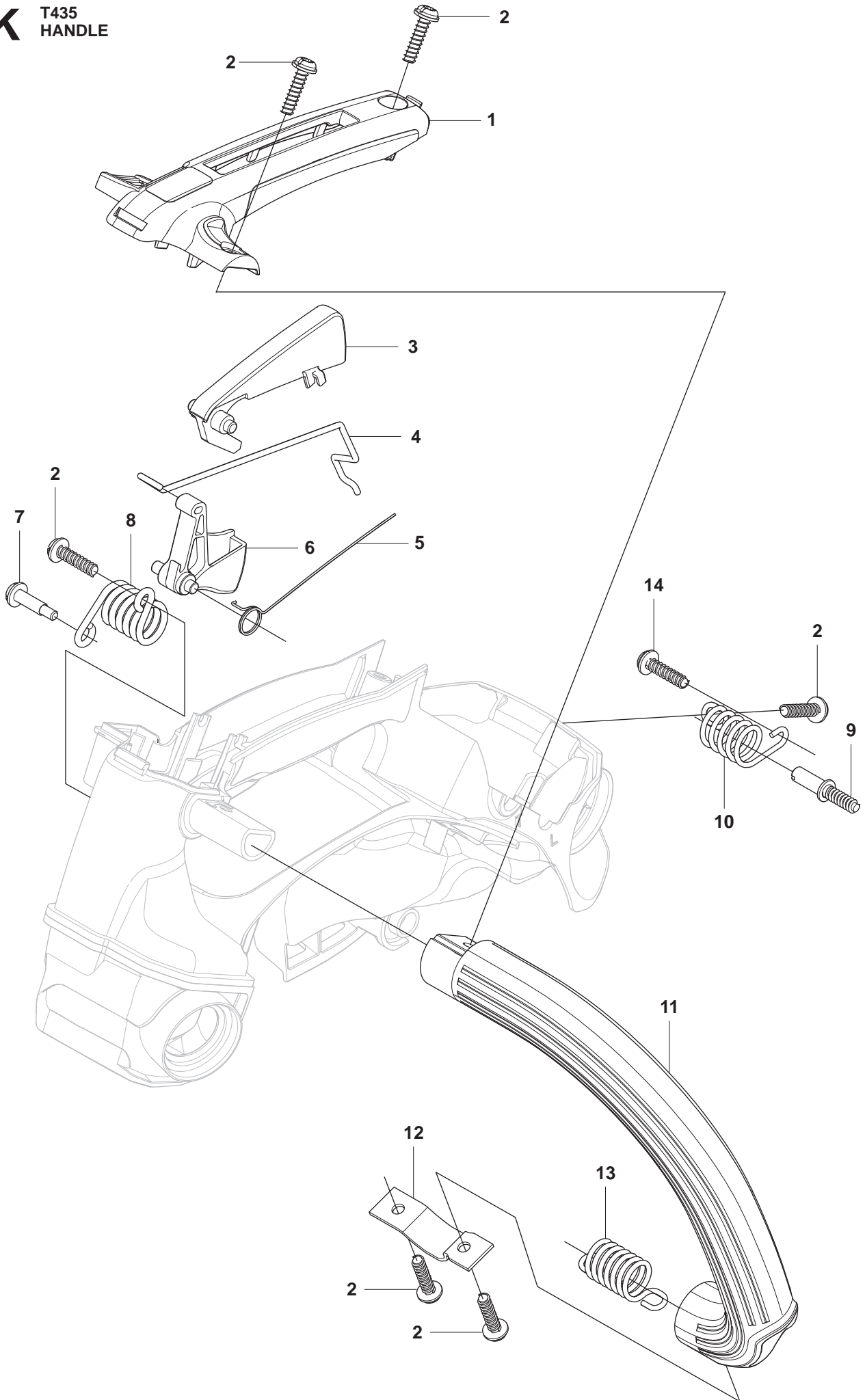
16

26

27

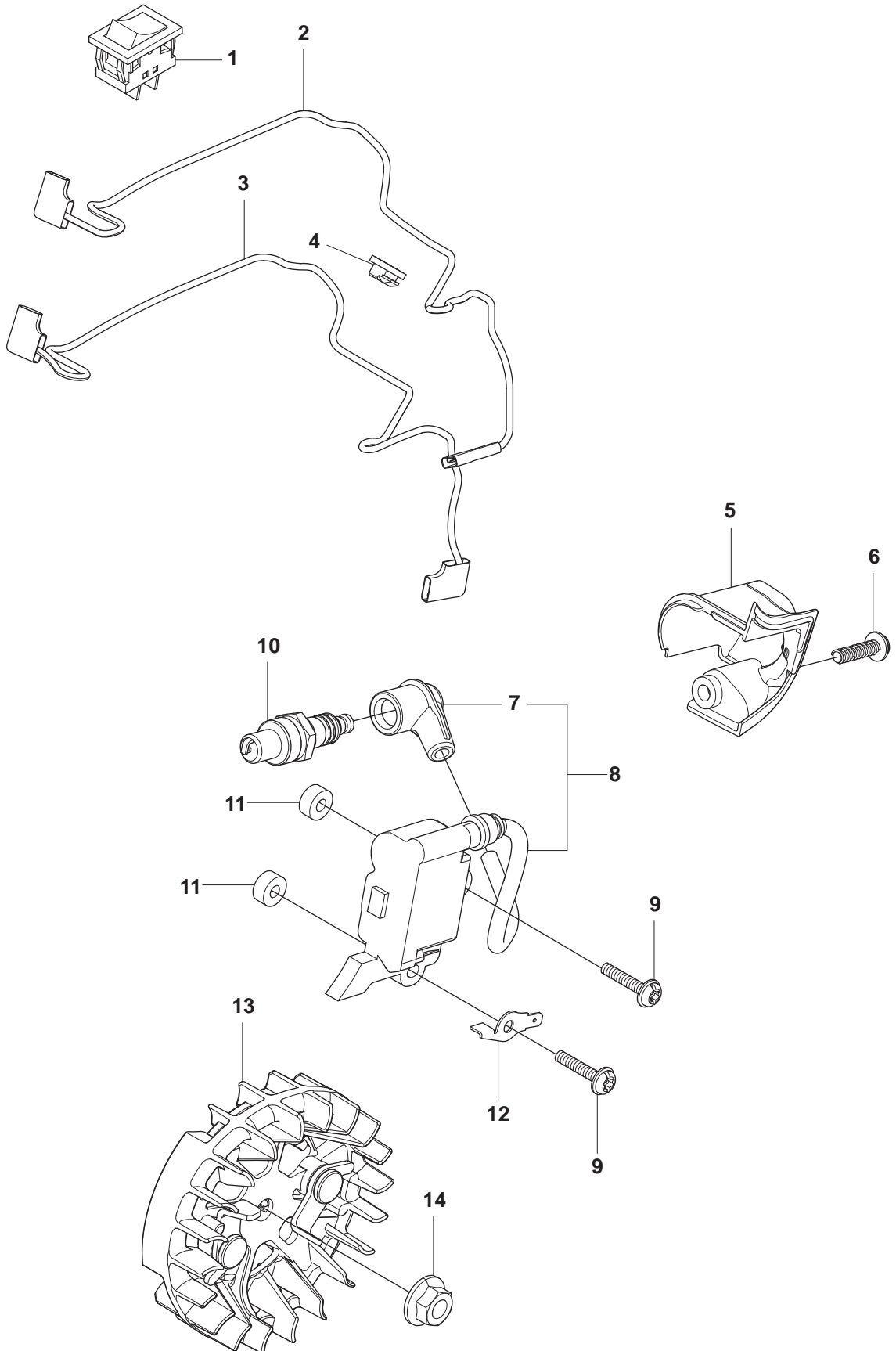
Position	Part nr.	Quantity	Description	Kit
1	522 01 64-01	1	Housing	
2	522 01 77-01	1	Filter cover compl.	
3	522 01 78-01	1	Filter cover	2
4	522 01 79-01	1	Knob	2
5	522 64 76-01	1	Fuel hose assy	
6	522 64 77-01	1	Grommet	5
7	522 63 95-01	1	Fuel hose	5
8	516 97 28-01	1	Purge	
9	516 94 81-01	1	Seal	
10	516 96 19-01	1	Valve	
11	522 01 76-01	1	Bracket	
12	516 96 52-01	1	Breather	
13	520 99 61-01	1	Grommet	
14	522 00 88-01	1	Guide, carb	
16	523 07 14-01	1	Decal, warning	
17	522 01 94-01	1	Eyelet	
18	574 51 04-01	2	Fuel cap compl.	
19	522 01 83-01	2	Fuel cap	18
20	574 51 06-01	2	Seal	18
21	521 51 80-01	1	Screw	
22	522 64 71-01	1	Pipe	
23	522 64 78-01	1	Hose connector	
24	516 95 03-01	1	Joint	
25	522 63 94-01	1	Hose	
26	522 63 53-01	1	Decal, warning US-CAN	
27	522 63 54-01	1	Decal, warning EU-ROW	
28	503 44 32-01	1	Fuel filter	5
29	522 01 93-01	1	Plate	

K T435
HANDLE



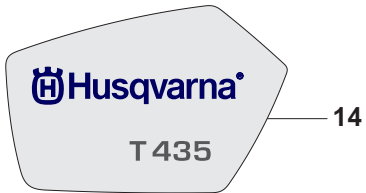
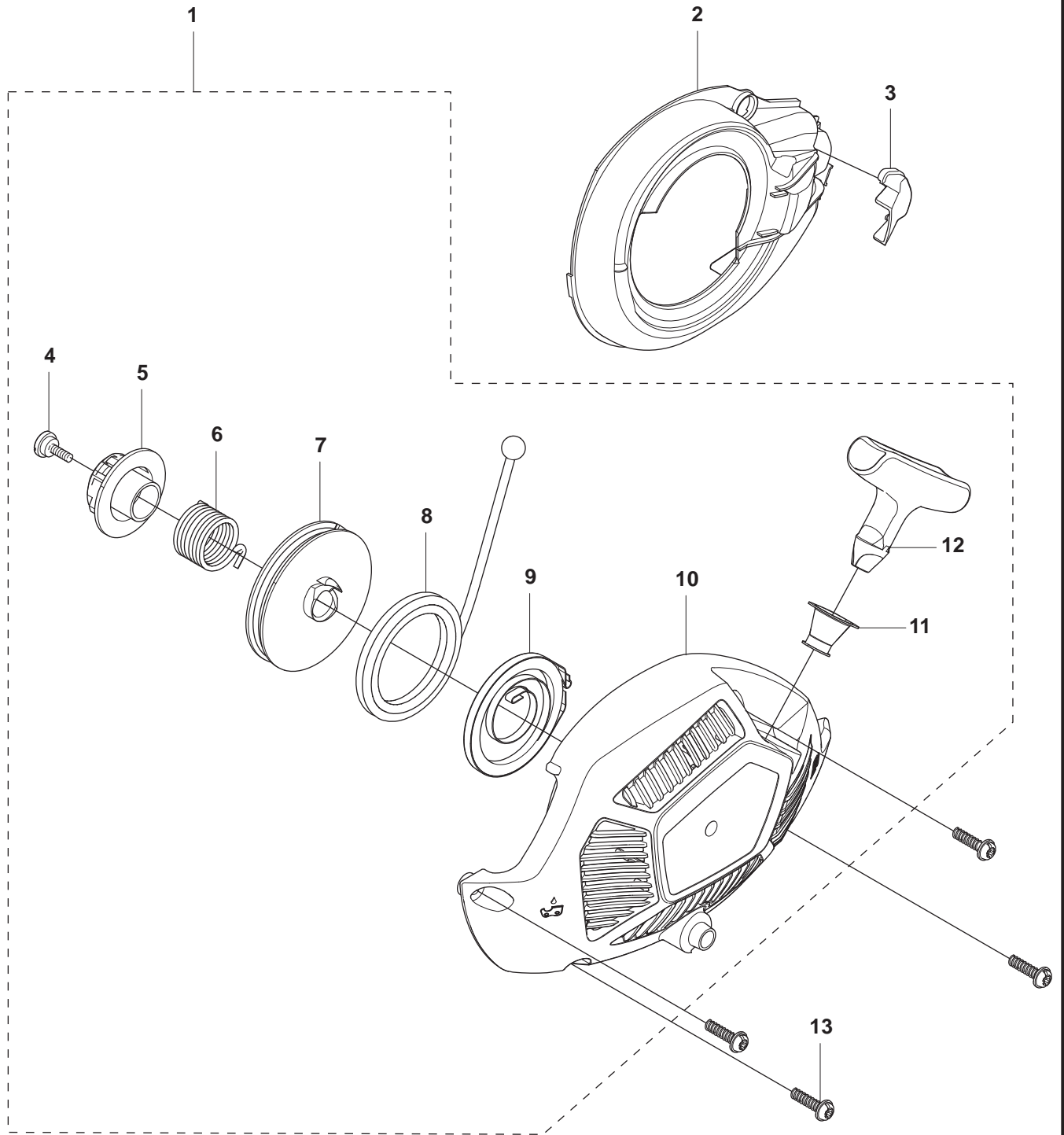
Position	Part nr.	Quantity	Description	Kit
1	522 01 74-01	1	Cover top handle	
2	521 51 81-01	6	Screw	
3	522 01 70-01	1	Throttle guard	
4	522 64 66-01	1	Rod	
5	521 07 89-01	1	Spring	
6	522 01 71-01	1	Trigger	
7	522 63 86-01	1	Screw	
8	522 64 22-01	1	AV Spring	
9	516 94 95-01	1	Bolt	
10	522 64 24-01	1	AV Spring	
11	522 01 91-01	1	Front handle	
12	521 55 72-01	1	Limiter	
13	522 64 23-01	1	AV Spring	
14	521 51 80-01	1	Screw	

M T435
IGNITION SYSTEM



Position	Part nr.	Quantity	Description	Kit
1	576 26 11-01	1	Stop switch	
2	522 64 45-01	1	Cable	
3	522 64 46-01	1	Cable, earth	
4	522 64 43-01	1	Grommet	
5	576 13 03-01	1	Cover, sparkplug	
6	521 51 81-01	1	Screw	
7	523 08 28-01	1	Cap	8
8	576 85 72-01	1	Ignition assy	
9	522 63 84-01	2	Bolt, torx	
10	521 23 35-01	1	Spark plug	
11	505 04 34-01	2	Spacer	
12	522 64 44-01	1	Terminal	
13	522 64 41-01	1	Flywheel	
14	516 43 74-01	1	Nut	

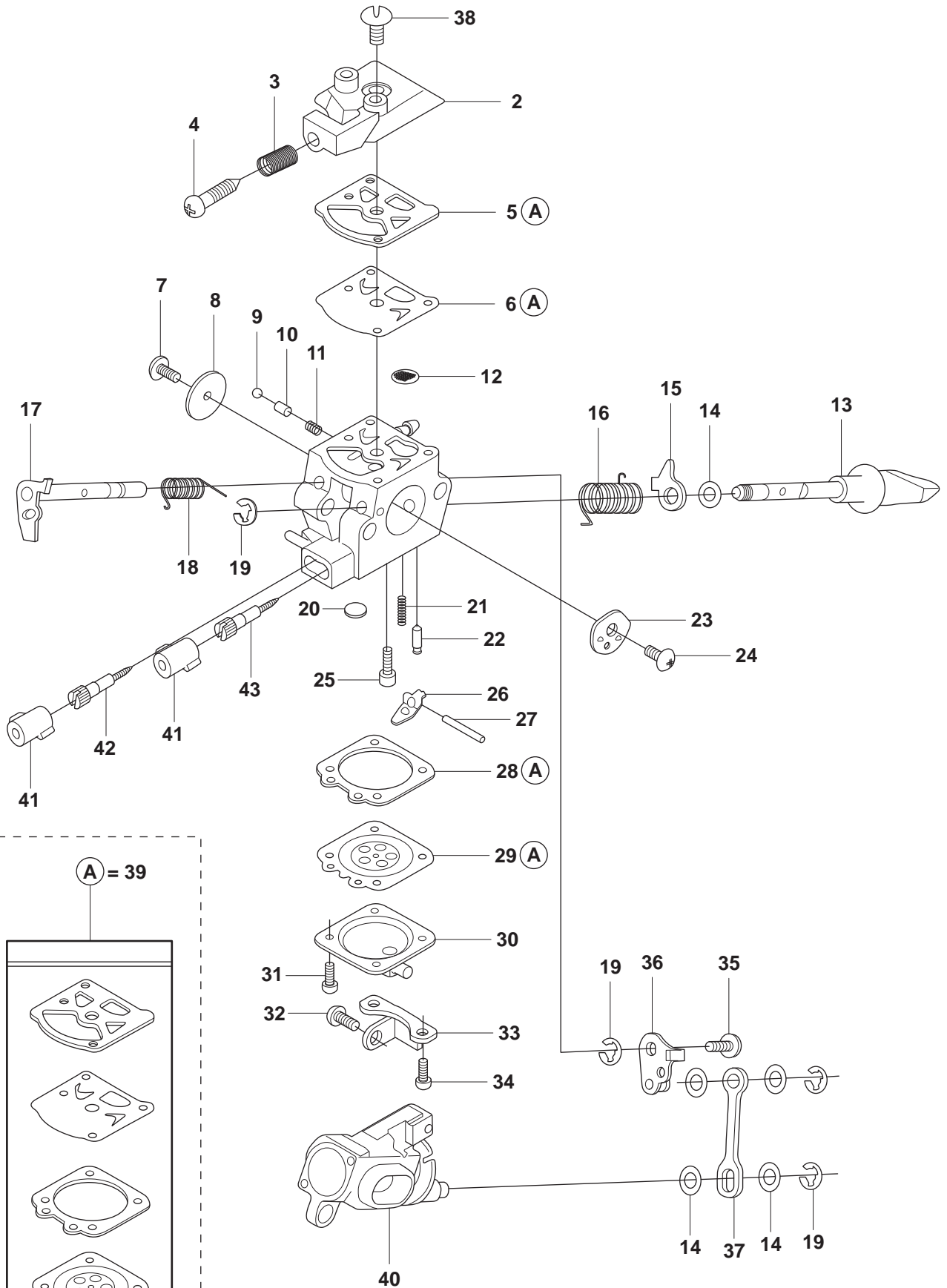
N T435
STARTER



Position	Part nr.	Quantity	Description	Kit
1	522 01 25-01	1	Starter assy	
2	522 64 47-01	1	Cover flywheel	
3	527 67 38-01	1	Guide	
4	521 32 68-01	1	Screw	1
5	522 64 54-01	1	Cam, plate	1
6	522 64 53-01	1	Spring	1
7	522 64 50-01	1	Reel	1
8	522 64 51-01	1	Rope	1
9	522 64 49-01	1	Starter spring	1
10	522 01 26-01	1	Starter case	1
11	576 42 31-01	1	Rope guide	1
12	537 23 25-01	1	Starter handle	1
13	521 51 81-01	4	Screw	
14	575 86 89-01	1	Decal, startercover	

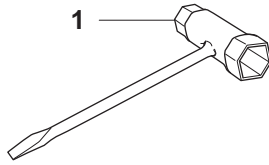
P T435
CARBURETOR

1



Position	Part nr.	Quantity	Description	Kit
1	522 00 76-01	1	Carburetor	
2	521 57 56-01	1	Cover	1
3	521 06 63-01	1	Spring, Idle	1
4	516 77 83-01	1	Screw	1
5	520 95 48-01	1	Gasket	1,39
6	520 95 49-01	1	Diaphragm pump	1,39
7	520 75 98-01	1	Screw	1
8	520 97 86-01	1	Valve, throttle	1
9	516 93 60-01	1	Ball	1
10	516 93 59-01	1	Piston	1
11	516 92 73-01	1	Spring	1
12	520 95 70-01	1	Screen	1
13	522 63 20-01	1	Choke shaft	1
14	516 52 42-01	5	Washer	1
15	521 58 11-01	1	Lever	1
16	521 58 01-01	1	Spring choke shaft	1
17	522 64 62-01	1	Throttle schaft	1
18	516 84 39-01	1	Spring, throttle latch	1
19	516 21 70-01	4	Clip	1
20	516 34 29-01	1	Plug	1
21	516 98 00-01	1	Spring	1
22	521 08 54-01	1	Valve, inlet	1
23	516 95 69-01	1	Valve, choke	1
24	520 75 98-01	1	Screw	1
25	520 97 73-01	1	Screw	1
26	520 97 72-01	1	Lever	1
27	520 97 74-01	1	Pin	1
28	516 97 21-01	1	Gasket	1,39
29	522 64 84-01	1	Diaphragm carburetor	1,39
30	522 64 60-01	1	Cover	1
31	520 97 88-01	2	Screw kit	1
32	522 64 61-01	1	Screw	1
33	522 64 67-01	1	Bracket	1
34	522 64 56-01	2	Screw kit	1
35	520 75 98-01	1	Screw	1
36	522 64 59-01	1	Throttle link	1
37	522 64 64-01	1	Rod	1
38	520 97 63-01	1	Screw	1
39	522 64 02-01	1	Diaphragm kit	
40	522 64 63-01	1	Body air valve	1
41	521 11 69-01	2	Cap	1
42	521 58 54-01	1	Needle	1
43	516 93 58-01	1	Needle	1

Q T435
ACCESSORIES



Page Q

T435

ACCESSORIES

Position	Part nr.	Quantity	Description	Kit
1	521 53 29-01	1	Combi tool	